



TANSA

tansa.com.tr



2019
CATALOG

SECURED ENTRANCES WORLDWIDE

info@tansa.com.tr



TANSA

2019
CATALOG



Altan Akçaylı
Founder and Chairman of the Board

Tansa was established in 1962 for the purpose of manufacturing precision gears and all in house designed automated mechanical wall pendulum and table clocks.

Switzerland was one of export territories for Tansa clocks when Tansa became the 2nd largest mechanical wall clocks manufacturer in Europe. When the Quartz technology developed through the end of 1980s, mechanical wall clock industry collapsed worldwide and Tansa stopped manufacturing mechanical clocks and started to manufacture products for security industry; watchman clocks and turnstiles.

Security Industry demanded from Tansa reliable turnstiles that could operate many years without compromise from performance. After observing the needs and requirements of the industry, Tansa designed and manufactured a functional, easy to install and service turnstile mechanism that would meet the security industry demands. The design for the Tansa turnstile mechanism was completed prior to investigating any other manufacturers model to prevent repeat of others problems. Tansa preferred this approach relying on their fine mechanics background and knowing that a turnstile mechanism is simpler and does not require the extreme fine precision comparing to construction of a mechanical clock.

Today, our turnstiles operates like a clockwork and installed worldwide. Their operational mechanics does not resemble any other manufacturers, while delivering precision functionality provide the dealers and integrators with simpler service and installation.

Manufacturing of our mechanisms is a bit harder. Coming from a tradition that operates on one fifty of thousand of a millimeter, Tansa is able to easily match any quality standard with classical and CNC machines, equipped with modern technology. I often tell our master craftsmen that they can't be master craftsmen unless they apply this precision to cheese cutting while they're having breakfast at home.



SECURED ENTRANCES WORLDWIDE

Tansa Turnstile's high quality products are preferred worldwide. We participate in many security industry exhibitions all around the world to grow our dealers network every year.



TRIPOD TURNSTILES 006

SWING GATE TURNSTILES 040

SPEED GATE TURNSTILES 054

FULL HEIGHT TURNSTILES 078





TRIPOD TURNSTILES

Tripod Turnstiles can be used in different applications and purposes since they have been designed and manufactured for both outdoor and indoor use. They can be installed at any entrance where practical application is required.



LTT 303 TRIPOD TURNSTILE

Operation

Adjustable manual passage to either direction.

Frame

Two-legged, flat covered, AISI 304 quality stainless steel. Optional: AISI 316 quality.

Core and Arms

CNC-machined, aluminum cast core and polished. Ø40x2.5 mm aluminum arms
Optional: Stainless steel arms.

Functions

Passage information (NC: Normally close or NO: Normally open).
Passage time. Memory mode. Audio warning. Adjustable passage direction.

Mechanism

AISI 304 quality stainless steel. Fail-Safe (arms rotate freely during power failure)
Optional: Fail Lock.

Emergency Mode

The arms rotate freely with the signal received from fire detection system.
Optional: Drop arm.

Indicator

Direction LEDs for both directions. Optional: Upper lid.

Operating Voltage

100-230 VAC. 47-60 Hz

Power Consumption

3.8W during passage, 4.1W during standby

Operating Temperature

-10° / +70° Optional: With heater -40°

Passage Speed

~25 persons / minute.

Passage Width

45-50 cm

Weight

~33 kg

Security Level

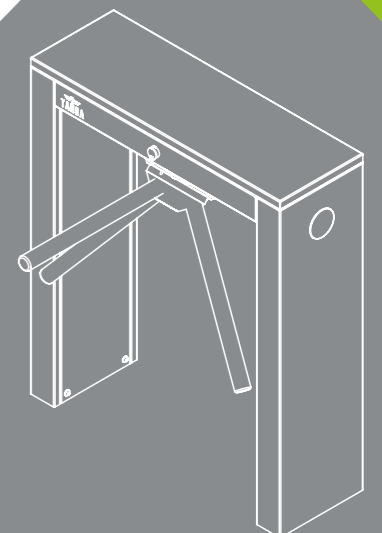
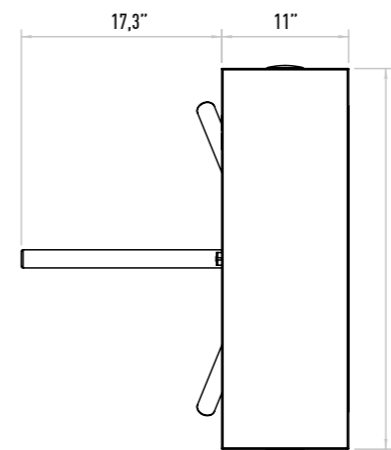
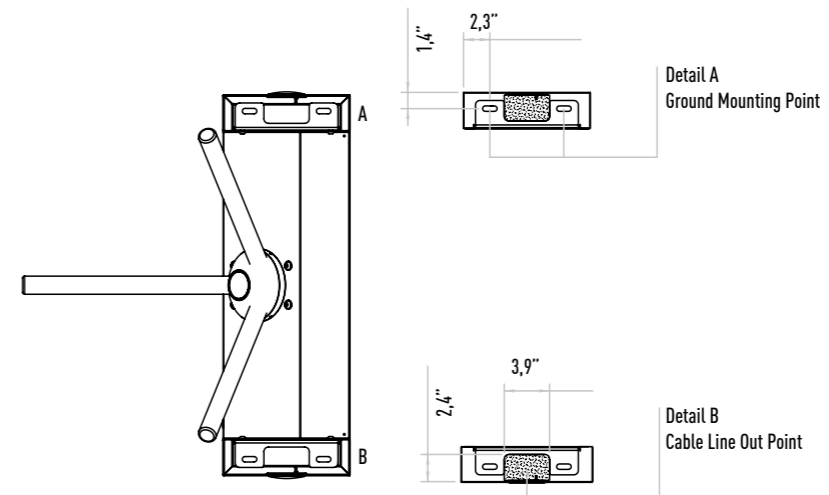
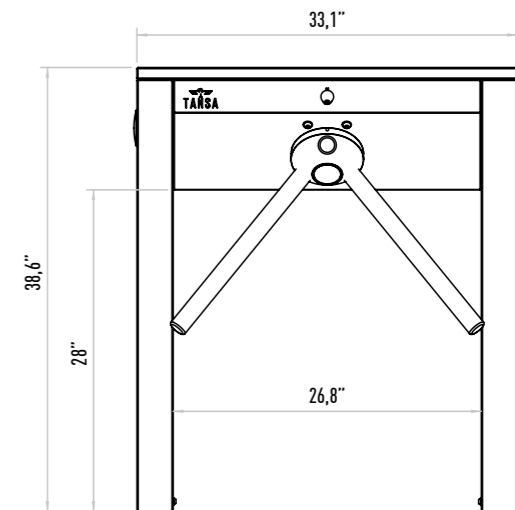
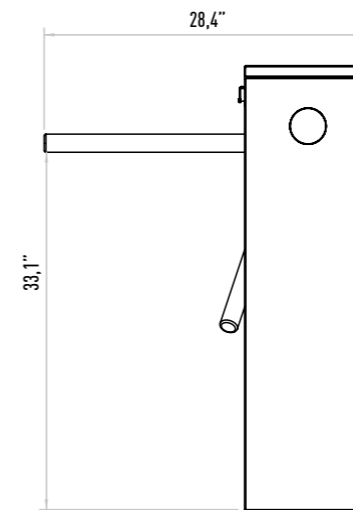
Deterrent.

Areas of Use

Suitable for indoor and outdoor use.

Accessories

Outdoor cover. Unauthorized passage notification system. Button control unit.
Remote control unit. Stainless steel bottom plate. Plexiglass reader assembly kit.
Reader assembly apparatus. Meter. RS232 communication unit.





LTT 303 D TRIPOD TURNSTILE

Operation

Adjustable manual passage to either direction.

Frame

Two-legged, flat covered, AISI 304 quality stainless steel. Optional: AISI 316 quality.

Core and Arms

CNC-machined, aluminum cast core and polished. Ø40x2.5 mm aluminum arms
Optional: Stainless steel arms.

Functions

Passage information (NC: Normally close or NO: Normally open).
Passage time. Memory mode. Audio warning. Adjustable passage direction.

Mechanism

AISI 304 quality stainless steel. Fail-Safe (arms rotate freely during power failure)
Optional: Fail Lock.

Emergency Mode

The arms rotate freely with the signal received from fire detection system.
Optional: Drop arm.

Indicator

Direction LEDs for both directions. Optional: Upper lid.

Operating Voltage

100-230 VAC. 47-60 Hz

Power Consumption

7.6W during passage, 8.2W during standby

Operating Temperature

-10° / +70° Optional: With heater -40°

Passage Speed

~50 persons / minute.

Passage Width

45-50 cm

Weight

~52 kg

Security Level

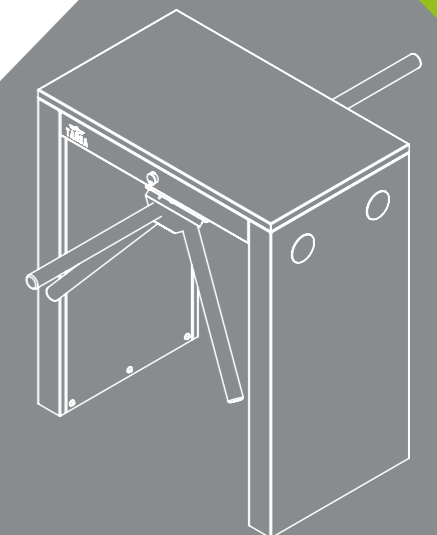
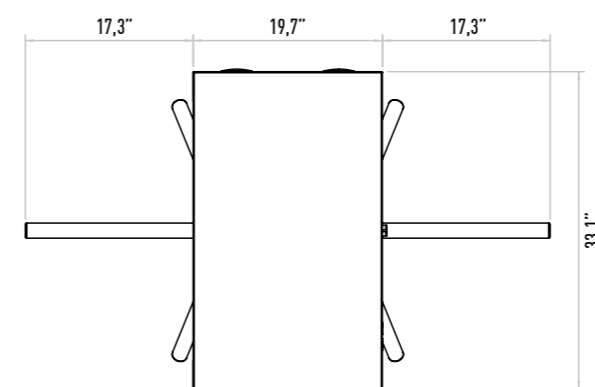
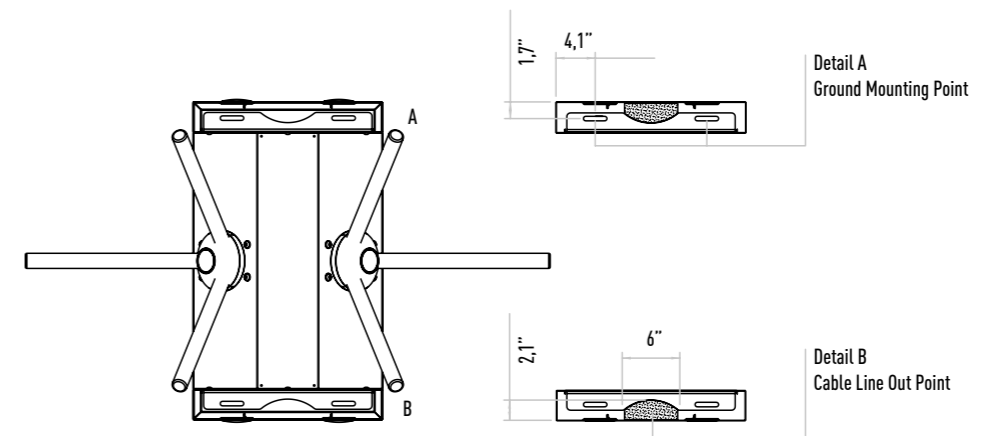
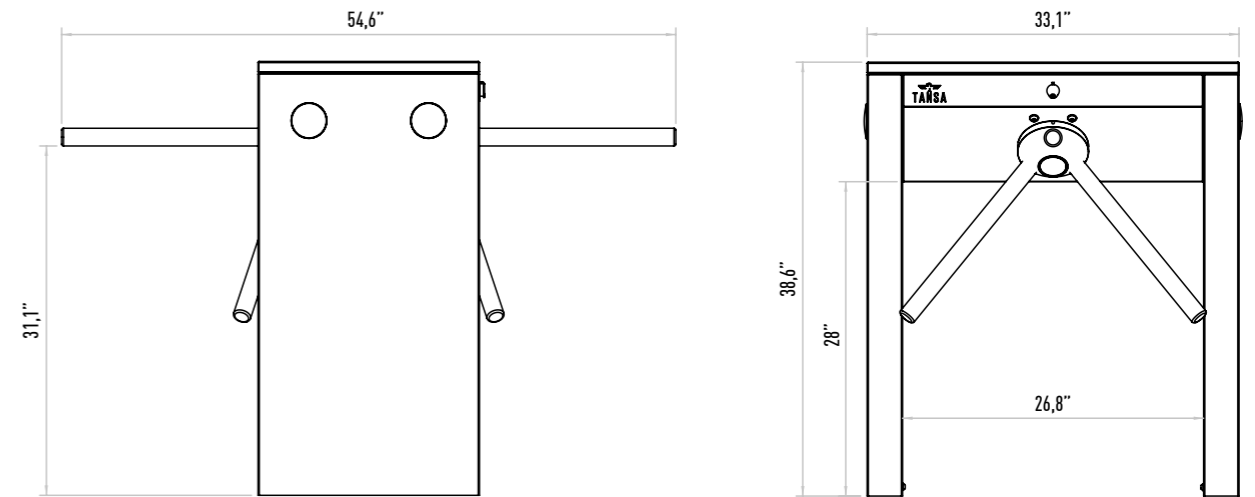
Deterrent.

Areas of Use

Suitable for indoor and outdoor use.

Accessories

Outdoor Cover. Unauthorized Passage Notification System. Meter. Button Control Unit. Remote Control Unit. Stainless Steel Bottom Plate. Plexiglass Reader Assembly Kit. Reader Assembly Apparatus. RS232 Communication Unit.





LTT 303 A TRIPOD TURNSTILE

Operation

Adjustable manual passage to either direction.

Frame

Two-legged, flat covered, AISI 304 quality stainless steel. Optional: AISI 316 quality.

Core and Arms

CNC-machined, aluminum cast core and polished. Ø40x2.5 mm aluminum arms
Optional: Stainless steel arms.

Functions

Passage information (NC: Normally close or NO: Normally open).
Passage time. Memory mode. Audio warning. Adjustable passage direction.

Mechanism

AISI 304 quality stainless steel. Fail-Safe (arms rotate freely during power failure)
Optional: Fail Lock.

Emergency Mode

The arms rotate freely with the signal received from fire detection system.
Optional: Drop arm.

Indicator

Direction LEDs for both directions. Optional: Upper lid.

Operating Voltage

100-230 VAC. 47-60 Hz

Power Consumption

7.6W during passage, 8.2W during standby

Operating Temperature

-10° / +70° Optional: With heater -40°

Passage Speed

~50 persons / minute.

Passage Width

45-50 cm

Weight

~52 kg

Security Level

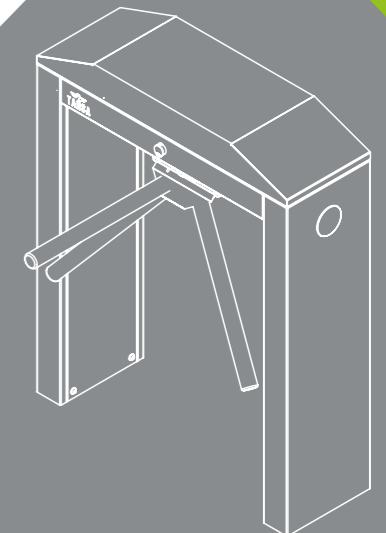
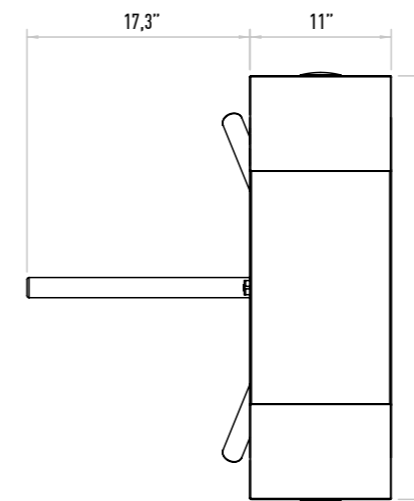
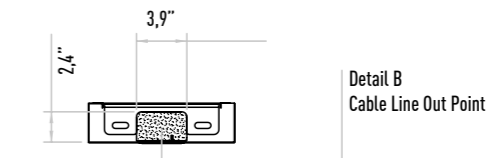
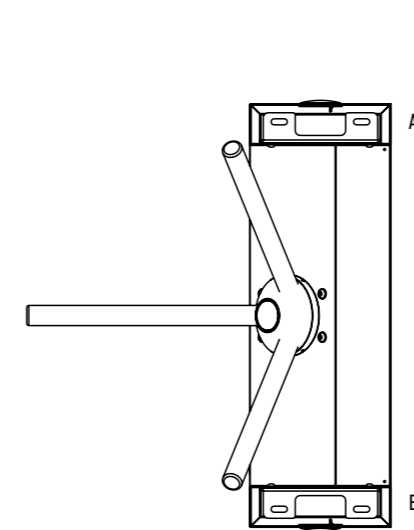
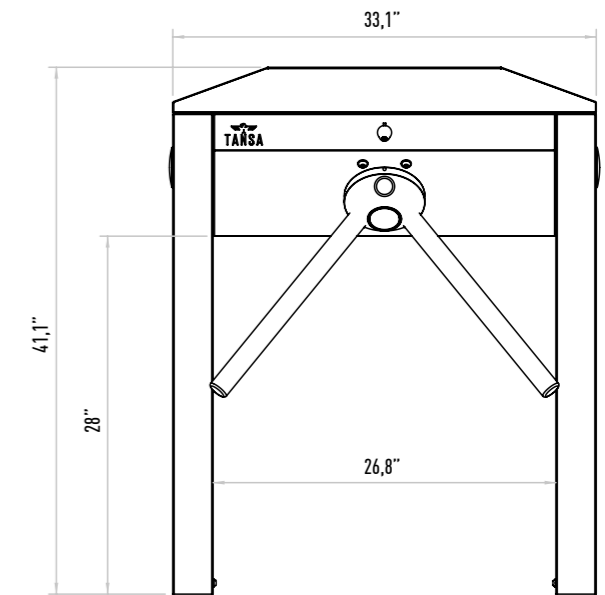
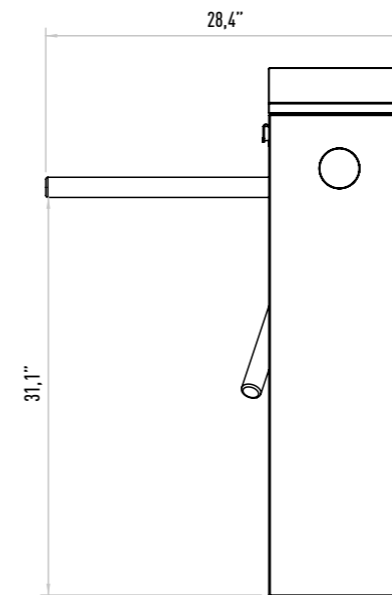
Deterrent.

Areas of Use

Suitable for indoor and outdoor use.

Accessories

Outdoor Cover. Unauthorized Passage Notification System. Meter. Button Control Unit. Remote Control Unit. Stainless Steel Bottom Plate. Plexiglass Reader Assembly Kit. Reader Assembly Apparatus. RS232 Communication Unit.





LTT 303 AD TRIPOD TURNSTILE

Operation

Adjustable manual passage to either direction.

Frame

Two-legged, angular lid, AISI 304 quality stainless steel. Optional: AISI 316 quality.

Core and Arms

CNC-machined, aluminum cast core and polished. Ø 40x2.5 mm aluminum arms
Optional: Stainless steel arms.

Functions

Passage information (NC: Normally close or NO: Normally open).
Passage time. Memory mode. Audio warning. Adjustable passage direction.

Mechanism

AISI 304 quality stainless steel. Fail-Safe (arms rotate freely during power failure)
Optional: Fail Lock.

Emergency Mode

The arms rotate freely with the signal received from fire detection system.
Optional: Drop arm.

Indicator

Direction LEDs for both directions. Optional: Upper lid.

Operating Voltage

100-230 VAC. 47-60 Hz

Power Consumption

7.6W during passage, 8.2W during standby

Operating Temperature

-10° / +70° Optional: With heater -40°

Passage Speed

~50 persons / minute.

Passage Width

45-50 cm

Weight

~52,5 kg

Security Level

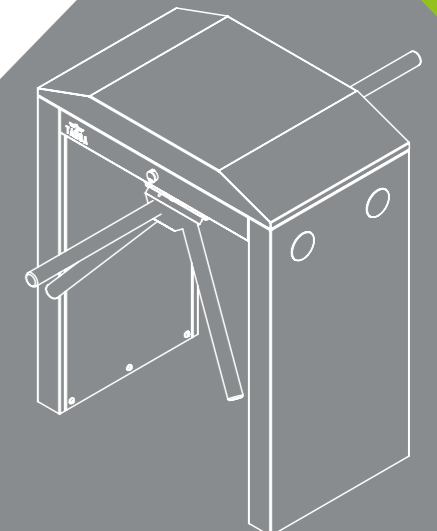
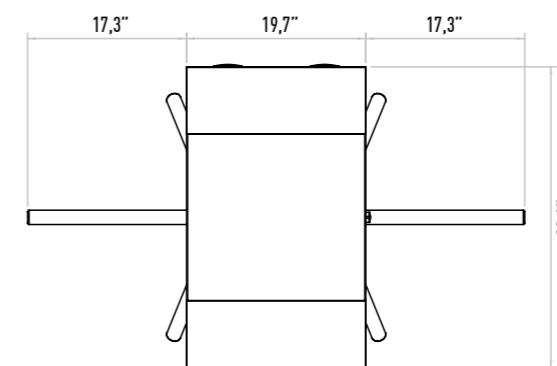
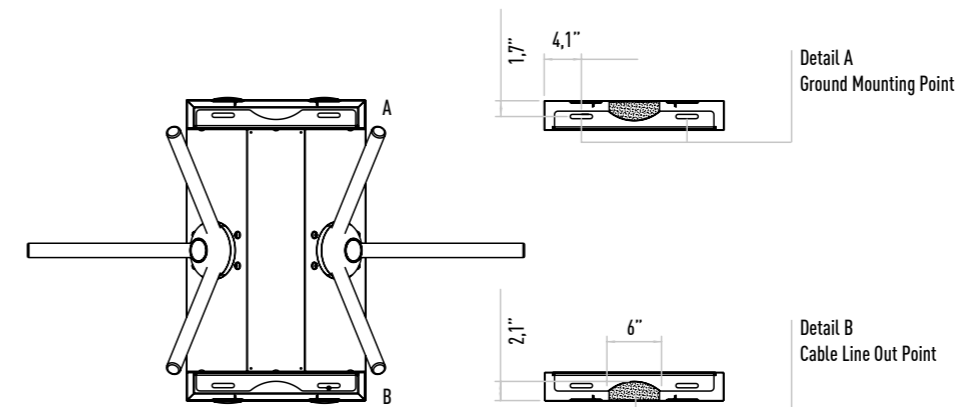
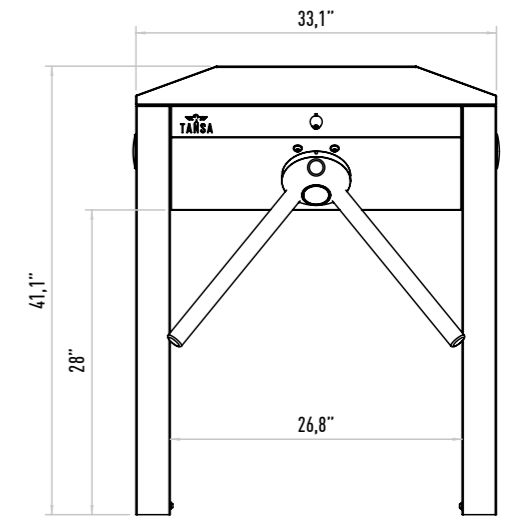
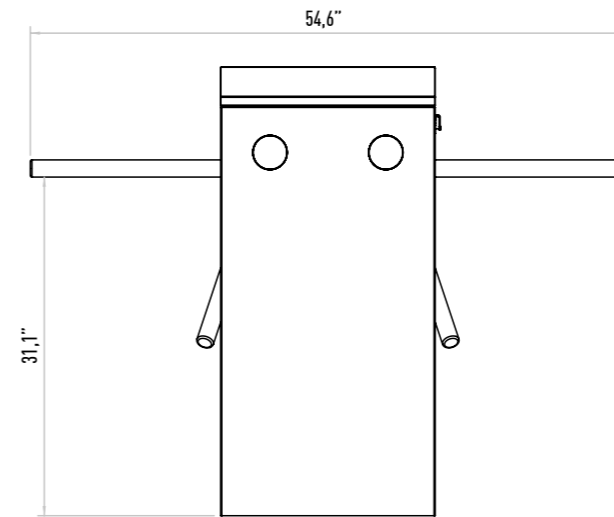
Deterrent.

Areas of Use

Suitable for indoor and outdoor use.

Accessories

Outdoor cover. Unauthorized passage notification system. Button control unit.
Remote control unit. Stainless steel bottom plate. Plexiglass reader assembly kit.
Reader assembly apparatus. Meter. RS232 communication unit.





LTT 303 S TRIPOD TURNSTILE

Operation

Adjustable manual passage to either direction.

Frame

Slim case, two-legged, AISI 304 quality stainless steel. Optional: AISI 316 quality.

Core and Arms

CNC-machined, aluminum cast core and polished. Ø 40x2.5 mm aluminum arms
Optional: Stainless steel arms.

Functions

Passage information (NC: Normally close or NO: Normally open).
Passage time. Memory mode. Audio warning. Adjustable passage direction.

Mechanism

AISI 304 quality stainless steel. Fail-Safe (arms rotate freely during power failure)
Optional: Fail Lock.

Emergency Mode

The arms rotate freely with the signal received from fire detection system.

Indicator

Direction LEDs for both directions. Optional: Upper lid.

Operating Voltage

100-230 VAC. 47-60 Hz

Power Consumption

3.8W during passage, 4.1W during standby

Operating Temperature

-10° / +70° Optional: With heater -40°

Passage Speed

~25 persons / minute.

Passage Width

45-50 cm

Weight

~28 kg

Security Level

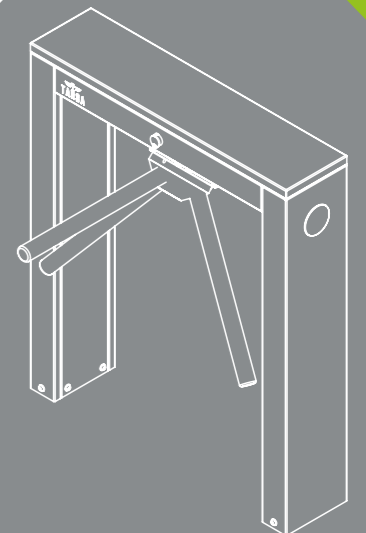
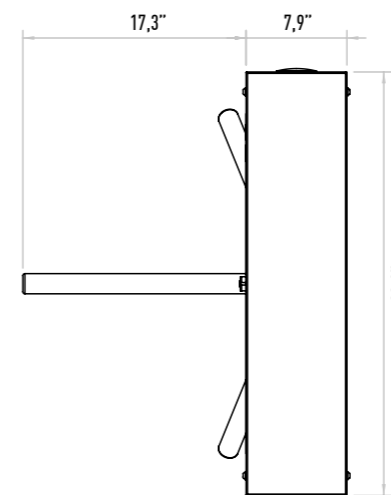
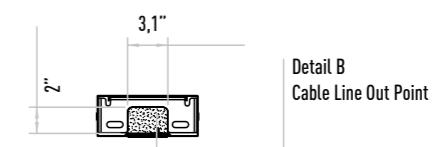
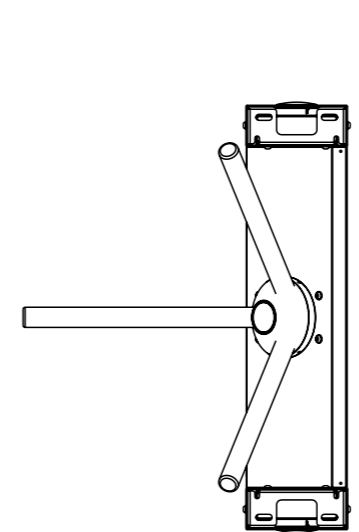
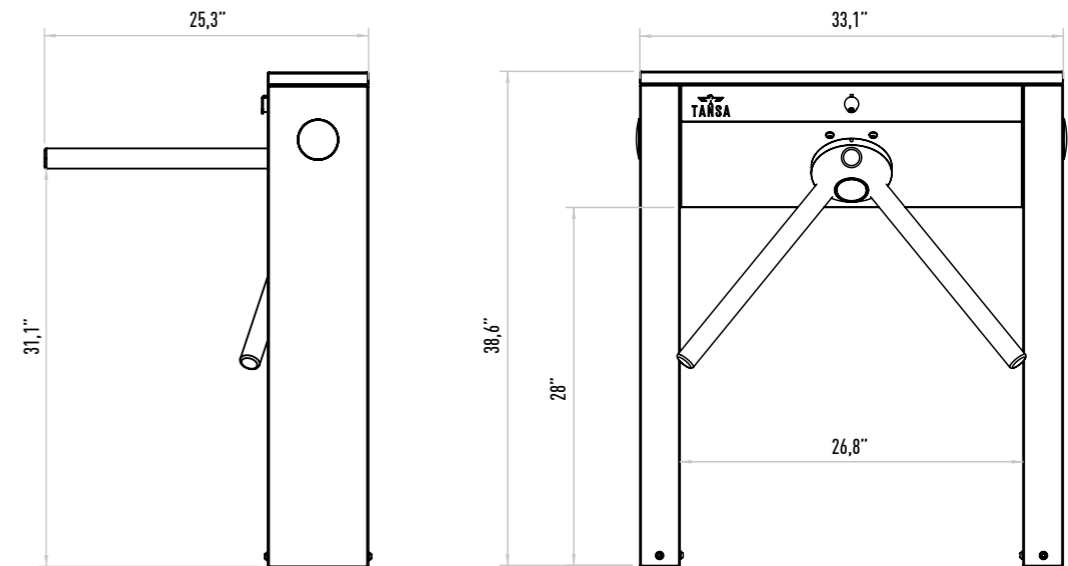
Deterrent.

Areas of Use

Suitable for indoor and outdoor use.

Accessories

Outdoor cover. Unauthorized passage notification system. Button control unit.
Remote control unit. Stainless steel bottom plate. Plexiglass reader assembly kit.
Reader assembly apparatus. Meter. RS232 communication unit.





LTT 303 AS TRIPOD TURNSTILE

Operation

Adjustable manual passage to either direction.

Frame

Angular lid, slim case, two-legged, AISI 304 quality stainless steel.
Optional: AISI 316 quality.

Core and Arms

CNC-machined, aluminum cast core and polished. Ø 40x2.5 mm aluminum arms
Optional: Stainless steel arms.

Functions

Passage information (NC: Normally close or NO: Normally open).
Passage time. Memory mode. Audio warning. Adjustable passage direction.

Mechanism

AISI 304 quality stainless steel. Fail-Safe (arms rotate freely during power failure)
Optional: Fail Lock.

Emergency Mode

The arms rotate freely with the signal received from fire detection system.

Indicator

Direction LEDs for both directions. Optional: Upper lid.

Operating Voltage

100-230 VAC. 47-60 Hz

Power Consumption

3.8W during passage, 4.1W during standby

Operating Temperature

-10° / +70° Optional: With heater -40°

Passage Speed

~25 persons / minute.

Passage Width

45-50 cm

Weight

~29,5 kg

Security Level

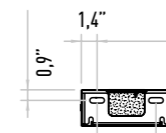
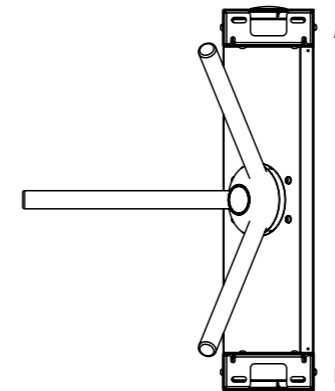
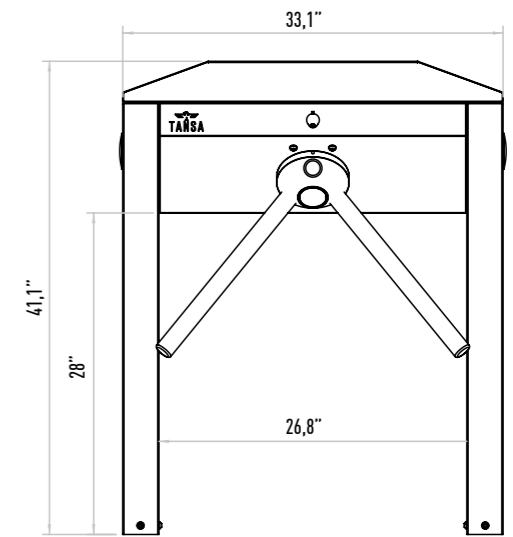
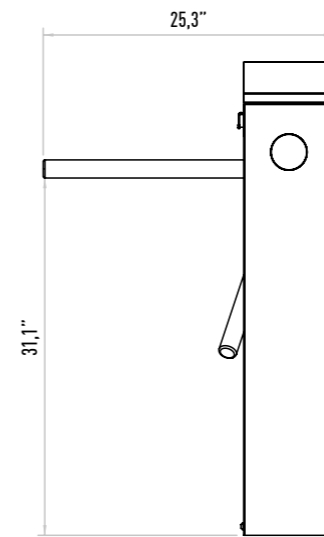
Deterrent.

Areas of Use

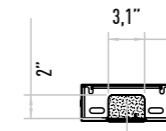
Suitable for indoor and outdoor use.

Accessories

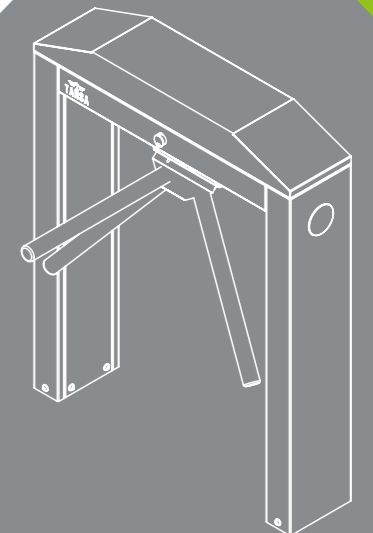
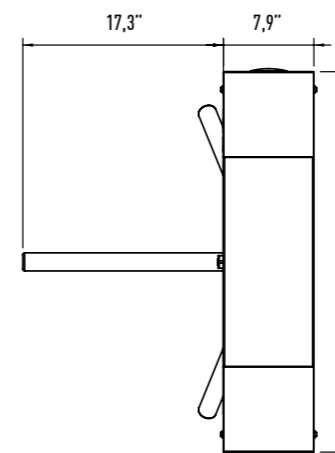
Outdoor cover. Unauthorized passage notification system. Button control unit.
Remote control unit. Stainless steel bottom plate. Plexiglass reader assembly kit.
Reader assembly apparatus. Meter. RS232 communication unit.



Detail A
Ground Mounting Point



Detail B
Cable Line Out Point





LTT 303 E TRIPOD TURNSTILE

Operation

Adjustable manual passage to either direction.

Frame

Cylindrical, two-legged, AISI 304 quality stainless steel. Optional: AISI 316 quality.

Core and Arms

CNC-machined, aluminum cast core and polished. Ø 40x2.5 mm aluminum arms
Optional: Stainless steel arms.

Functions

Passage information (NC: Normally close or NO: Normally open).
Passage time. Memory mode. Audio warning. Adjustable passage direction.

Mechanism

AISI 304 quality stainless steel. Fail-Safe (arms rotate freely during power failure)
Optional: Fail Lock.

Emergency Mode

The arms rotate freely with the signal received from fire detection system.
Optional: Drop arm.

Indicator

Direction LEDs for both directions. Optional: Upper lid.

Operating Voltage

100-230 VAC. 47-60 Hz

Power Consumption

3.8W during passage, 4.1W during standby

Operating Temperature

-10° / +70° Optional: With heater -40°

Passage Speed

~25 persons / minute.

Passage Width

45-50 cm

Weight

~42 kg

Security Level

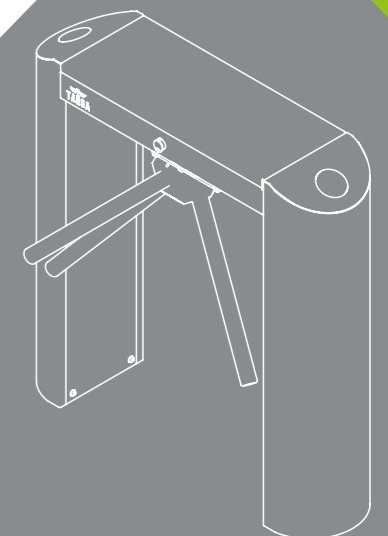
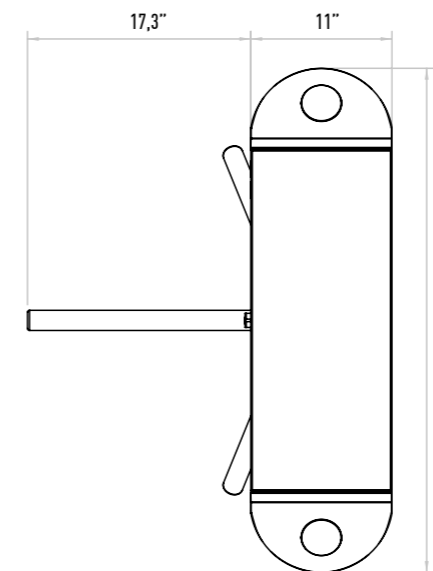
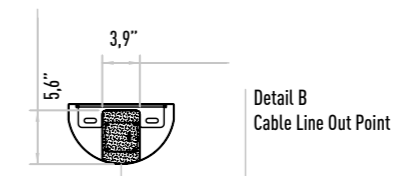
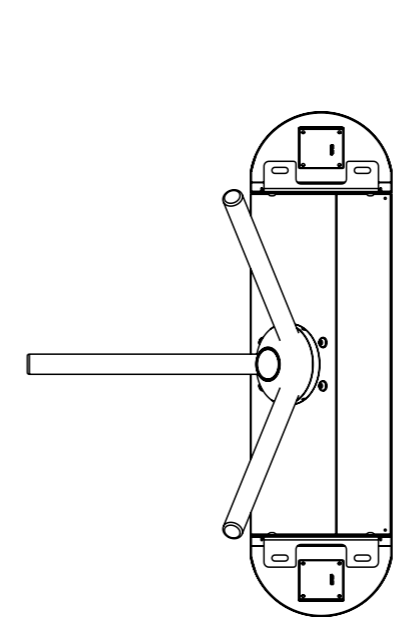
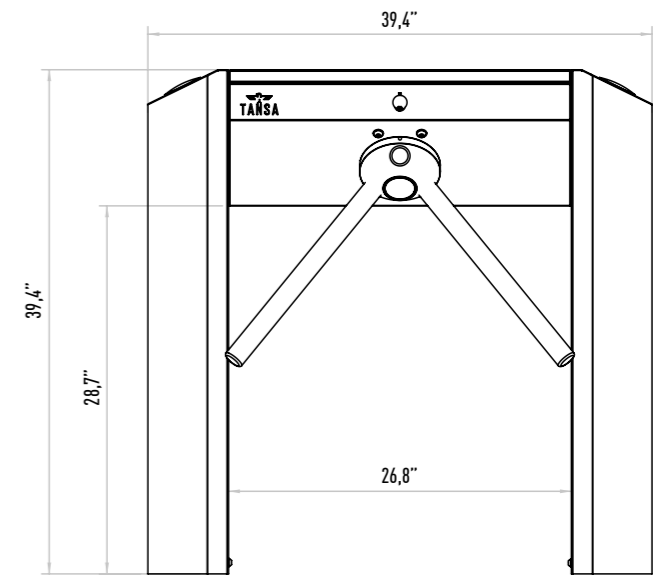
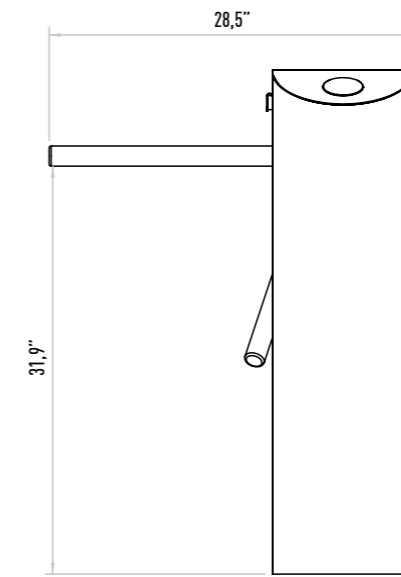
Deterrent.

Areas of Use

Suitable for indoor and outdoor use.

Accessories

Outdoor cover. Unauthorized passage notification system. Button control unit.
Remote control unit. Stainless steel bottom plate. Plexiglass reader assembly kit.
Reader assembly apparatus. Meter. RS232 communication unit.





LTT 303 J TRIPOD TURNSTILE

Operation

Can be adjusted to either direction, passage with coins or tokens.

Frame

Two-legged, AISI 304 quality stainless steel. Optional: AISI 316 quality.

Core and Arms

CNC-machined, aluminum cast core and polished. Ø 40x2.5 mm aluminum arms
Optional: Stainless steel arms.

Functions

Passage information (NC: Normally close or NO: Normally open). Internal coin unit.
Passage time. Memory mode. Audio warning. Adjustable passage direction.

Mechanism

AISI 304 quality stainless steel. Fail-Safe (arms rotate freely during power failure)
Optional: Fail Lock.

Emergency Mode

The arms rotate freely with the signal received from fire detection system.
Optional: Drop arm.

Indicator

Direction LEDs for both directions. Optional: Upper lid.

Operating Voltage

100-230 VAC. 47-60 Hz

Power Consumption

4.8W during passage, 5W during standby

Operating Temperature

0° / +70° Optional: With heater -40°

Passage Speed

~25 persons / minute.

Passage Width

45-50 cm

Weight

~37 kg

Security Level

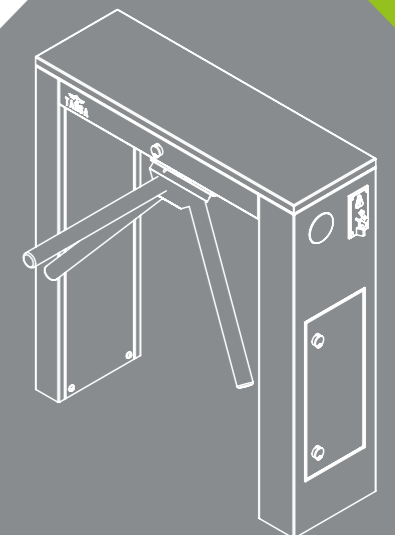
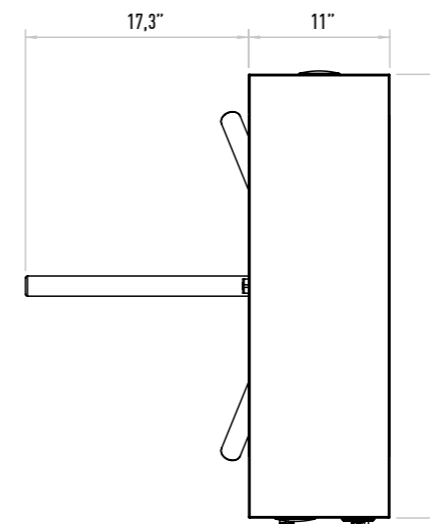
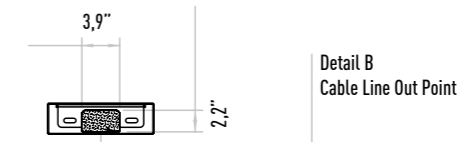
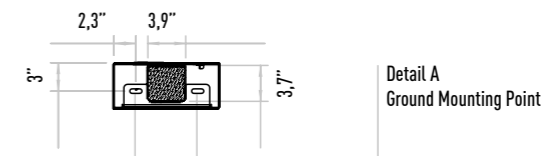
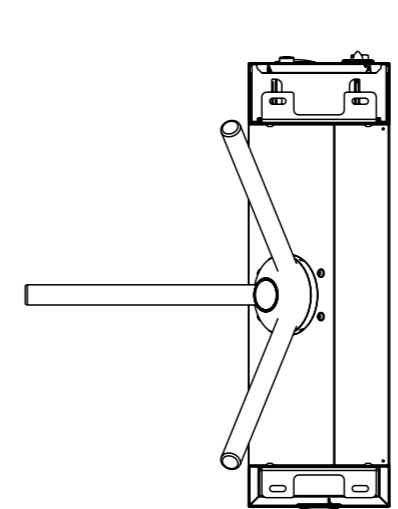
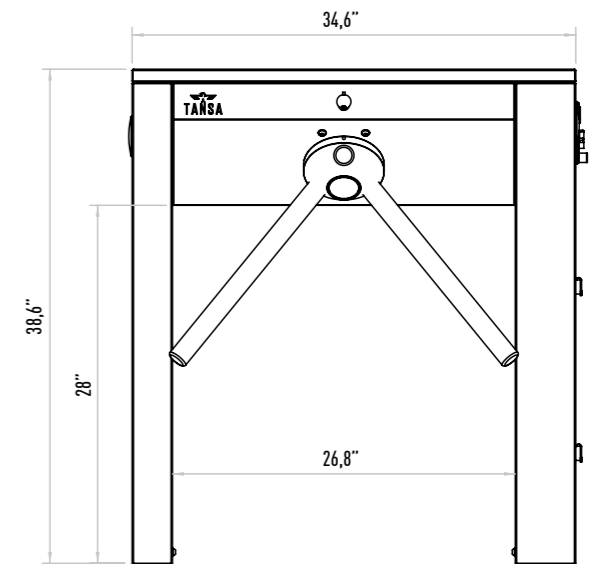
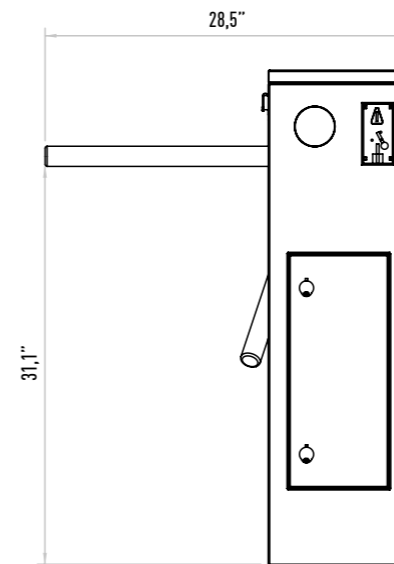
Deterrent.

Areas of Use

Suitable for indoor and outdoor use. (Can be used in outdoor with outdoor cover.)

Accessories

Outdoor cover. Unauthorized passage notification system. Button control unit.
Remote control unit. Stainless steel bottom plate. Plexiglass reader assembly kit.
Reader assembly apparatus. Meter. RS232 communication unit.





LTT 313 TRIPOD TURNSTILE

Operation

Adjustable manual passage to either direction.

Frame

Single-legged, AISI 304 quality stainless steel. Optional: AISI 316 quality.

Core and Arms

CNC-machined, aluminum cast core and polished. Ø 40x2.5 mm aluminum arms
Optional: Stainless steel arms.

Functions

Passage information (NC: Normally close or NO: Normally open).
Passage time. Memory mode. Audio warning. Adjustable passage direction.

Mechanism

AISI 304 quality stainless steel. Fail-Safe (arms rotate freely during power failure)
Optional: Fail Lock.

Emergency Mode

The arms rotate freely with the signal received from fire detection system.
Optional: Drop arm.

Indicator

Direction LEDs for both directions. Optional: Upper lid.

Operating Voltage

100-230 VAC. 47-60 Hz

Power Consumption

3.8W during passage, 4.1W during standby

Operating Temperature

-10° / +70° Optional: With heater -40°

Passage Speed

~25 persons / minute.

Passage Width

45-60 cm

Weight

~22 kg

Security Level

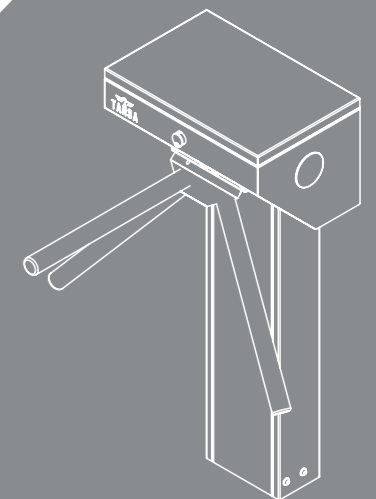
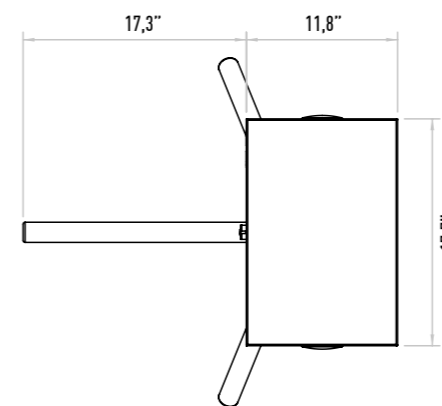
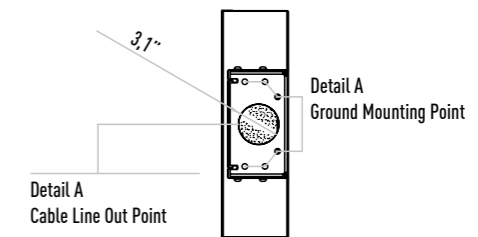
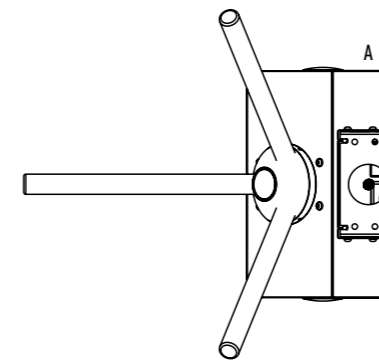
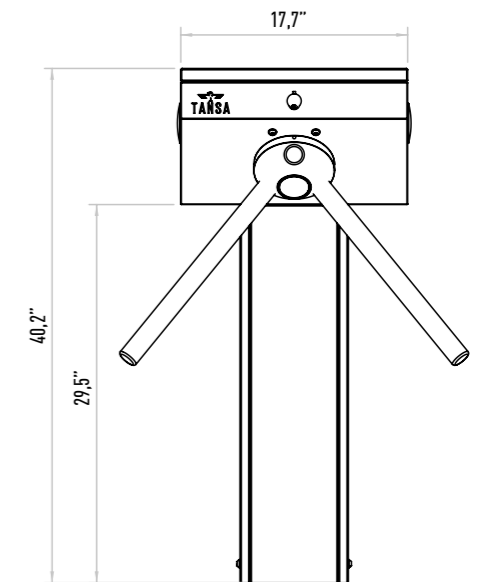
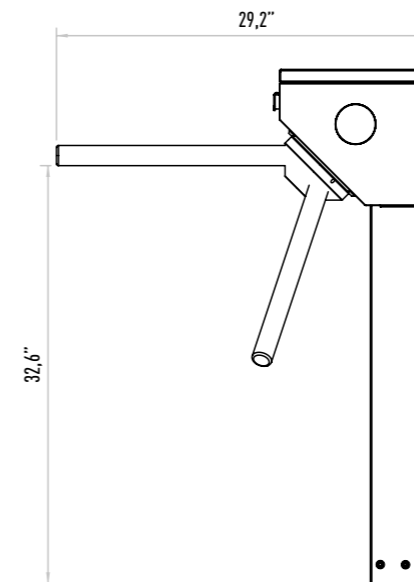
Deterrent.

Areas of Use

Suitable for indoor and outdoor use.

Accessories

Outdoor cover. Unauthorized passage notification system. Button control unit.
Remote control unit. Stainless steel bottom plate. Plexiglass reader assembly kit.
Reader assembly apparatus. Meter. RS232 communication unit.





LTT 313 D TRIPOD TURNSTILE

Operation

Adjustable manual passage to either direction.

Frame

Single-legged, AISI 304 quality stainless steel. Optional: AISI 316 quality.

Core and Arms

CNC-machined, aluminum cast core and polished. Ø 40x2.5 mm aluminum arms
Optional: Stainless steel arms.

Functions

Passage information (NC: Normally close or NO: Normally open).
Passage time. Memory mode. Audio warning. Adjustable passage direction.

Mechanism

AISI 304 quality stainless steel. Fail-Safe (arms rotate freely during power failure)
Optional: Fail Lock.

Emergency Mode

The arms rotate freely with the signal received from fire detection system.
Optional: Drop arm.

Indicator

Direction LEDs for both directions. Optional: Upper lid.

Operating Voltage

100-230 VAC. 47-60 Hz

Power Consumption

7.6W during passage, 8.2W during standby

Operating Temperature

-10° / +70° Optional: With heater -40°

Passage Speed

~50 persons / minute.

Passage Width

45-60 cm

Weight

~34 kg

Security Level

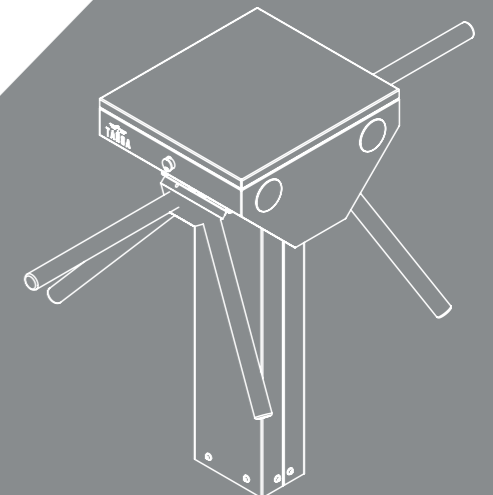
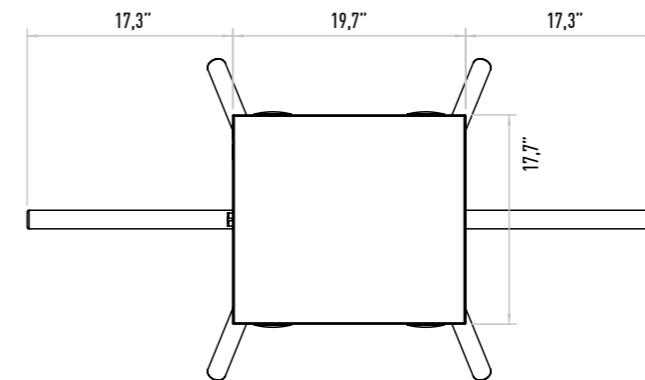
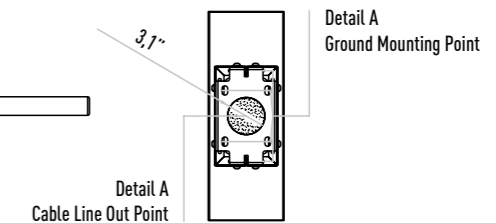
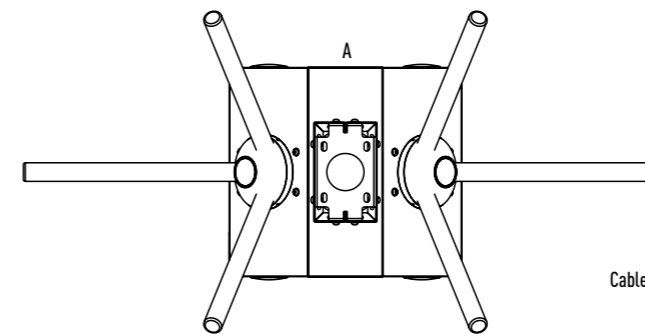
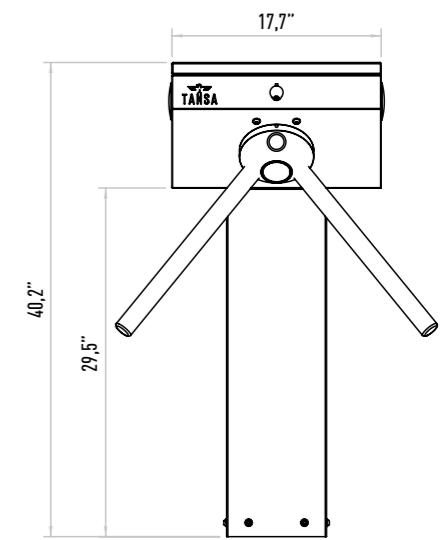
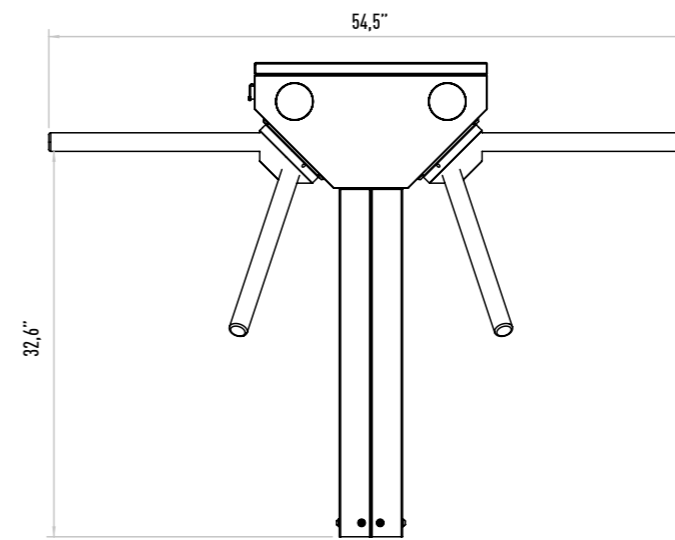
Deterrent.

Areas of Use

Suitable for indoor and outdoor use.

Accessories

Outdoor cover. Unauthorized passage notification system. Button control unit.
Remote control unit. Stainless steel bottom plate. Plexiglass reader assembly kit.
Reader assembly apparatus. Meter. RS232 communication unit.





LTT 313E TRIPOD TURNSTILE

Operation

Adjustable manual passage to either direction.

Frame

Single-legged, AISI 304 quality stainless steel. Optional: AISI 316 quality.

Core and Arms

CNC-machined, aluminum cast core and polished. Ø 40x2.5 mm aluminum arms
Optional: Stainless steel arms.

Functions

Passage information (NC: Normally close or NO: Normally open).
Passage time. Memory mode. Audio warning. Adjustable passage direction.

Mechanism

AISI 304 quality stainless steel. Fail-Safe (arms rotate freely during power failure)
Optional: Fail Lock.

Emergency Mode

The arms rotate freely with the signal received from fire detection system.
Optional: Drop arm.

Indicator

Direction LEDs for both directions. Optional: Upper lid.

Operating Voltage

100-230 VAC. 47-60 Hz

Power Consumption

3.8W during passage, 4.1W during standby

Operating Temperature

-10° / +70° Optional: With heater -40°

Passage Speed

~25 persons / minute.

Passage Width

45-60 cm

Weight

~27 kg

Security Level

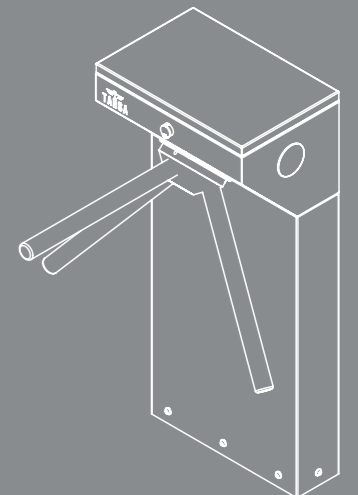
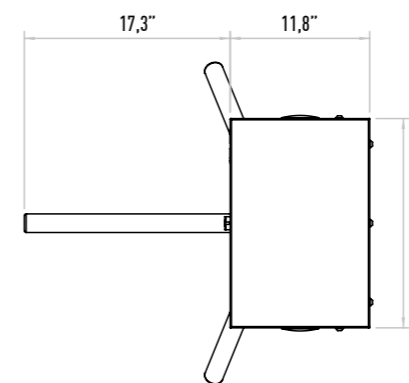
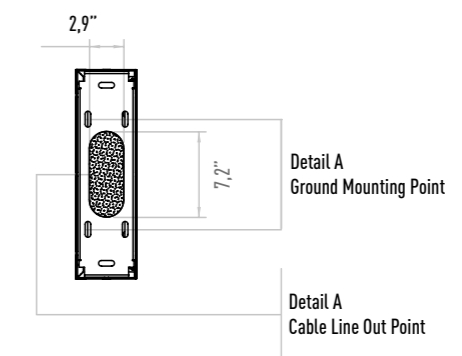
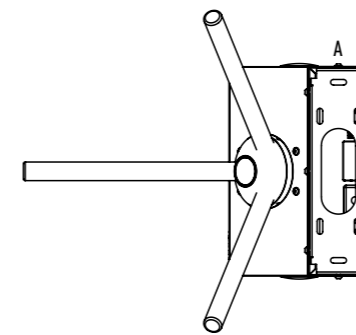
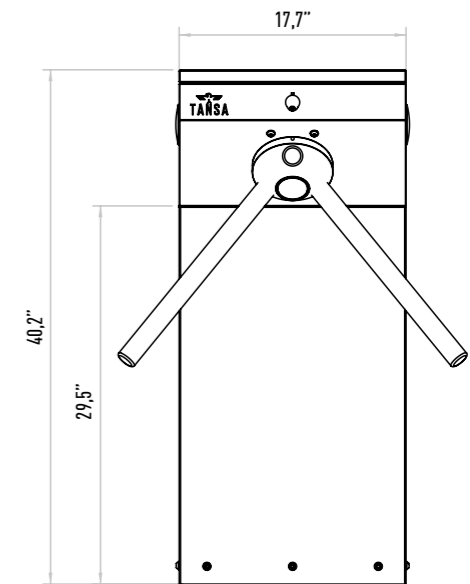
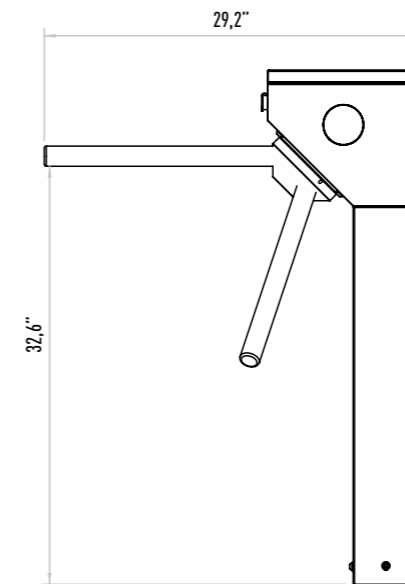
Deterrent.

Areas of Use

Suitable for indoor and outdoor use.

Accessories

Outdoor cover. Unauthorized passage notification system. Button control unit.
Remote control unit. Stainless steel bottom plate. Plexiglass reader assembly kit.
Reader assembly apparatus. Meter. RS232 communication unit.





LTT 313 ED TRIPOD TURNSTILE

Operation

Adjustable manual passage to either direction.

Frame

Single-legged, AISI 304 quality stainless steel. Optional: AISI 316 quality.

Core and Arms

CNC-machined, aluminum cast core and polished. Ø 40x2.5 mm aluminum arms
Optional: Stainless steel arms.

Functions

Passage information (NC: Normally close or NO: Normally open).
Passage time. Memory mode. Audio warning. Adjustable passage direction.

Mechanism

AISI 304 quality stainless steel. Fail-Safe (arms rotate freely during power failure)
Optional: Fail Lock.

Emergency Mode

The arms rotate freely with the signal received from fire detection system.
Optional: Drop arm.

Indicator

Direction LEDs for both directions. Optional: Upper lid.

Operating Voltage

100-230 VAC. 47-60 Hz

Power Consumption

7.6W during passage, 8.2W during standby

Operating Temperature

-10° / +70° Optional: With heater -40°

Passage Speed

~50 persons / minute.

Passage Width

45-60 cm

Weight

~36 kg

Security Level

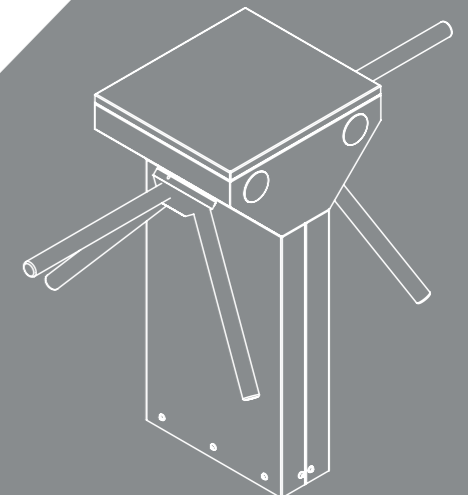
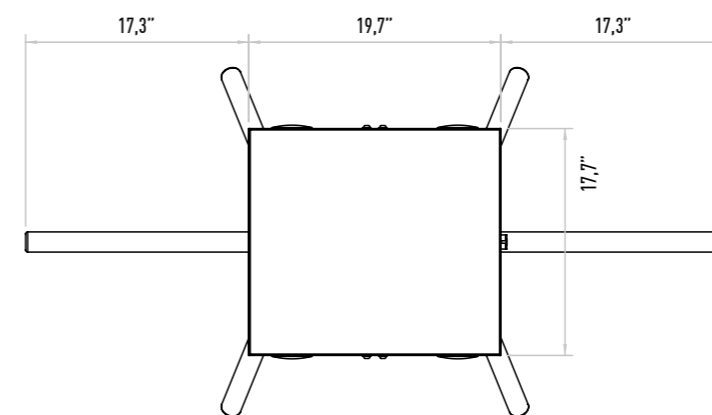
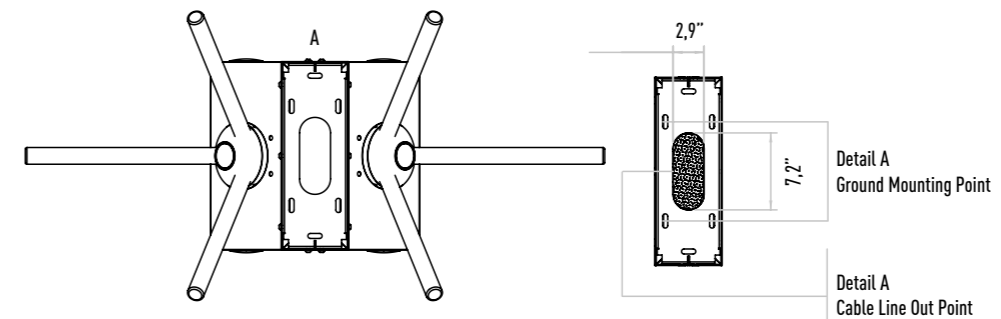
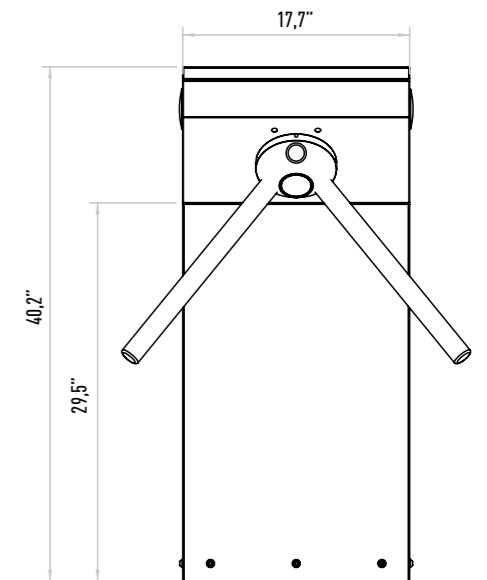
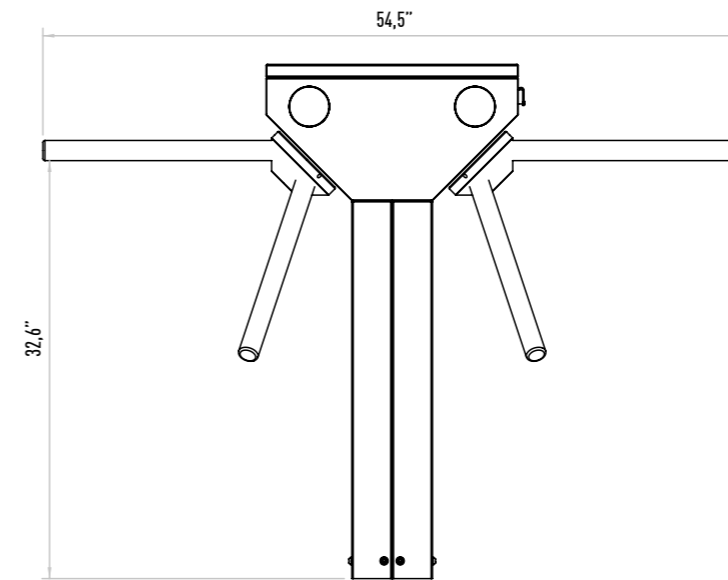
Deterrent.

Areas of Use

Suitable for indoor and outdoor use.

Accessories

Outdoor cover. Unauthorized passage notification system. Button control unit.
Remote control unit. Stainless steel bottom plate. Plexiglass reader assembly kit.
Reader assembly apparatus. Meter. RS232 communication unit.





LTT 313 EJ TRIPOD TURNSTILE

Operation

Can be adjusted to either direction, passage with coins or tokens.

Frame

Single-legged, AISI 304 quality stainless steel. Optional: AISI 316 quality.

Core and Arms

CNC-machined, aluminum cast core and polished. Ø 40x2.5 mm aluminum arms
Optional: Stainless steel arms.

Functions

Passage information (NC: Normally close or NO: Normally open). Internal coin unit.
Passage time. Memory mode. Audio warning. Adjustable passage direction.

Mechanism

AISI 304 quality stainless steel. Fail-Safe (arms rotate freely during power failure)
Optional: Fail Lock.

Emergency Mode

The arms rotate freely with the signal received from fire detection system.
Optional: Drop arm.

Indicator

Direction LEDs for both directions. Optional: Upper lid.

Operating Voltage

100-230 VAC. 47-60 Hz

Power Consumption

4.8W during passage, 5W during standby

Operating Temperature

0° / +70° Optional: With heater -40°

Passage Speed

~25 persons / minute.

Passage Width

45-50 cm

Weight

~30 kg

Security Level

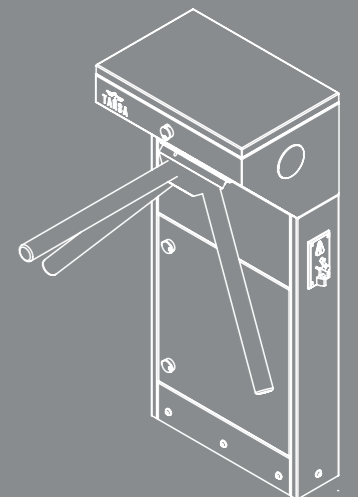
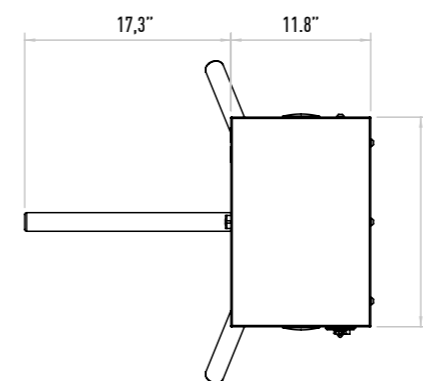
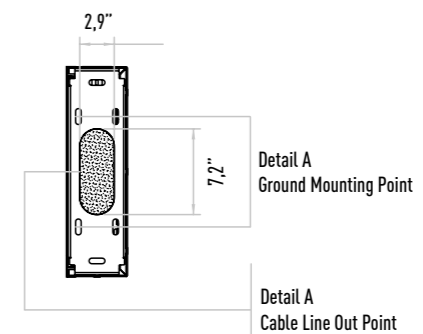
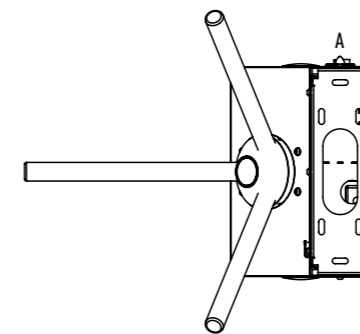
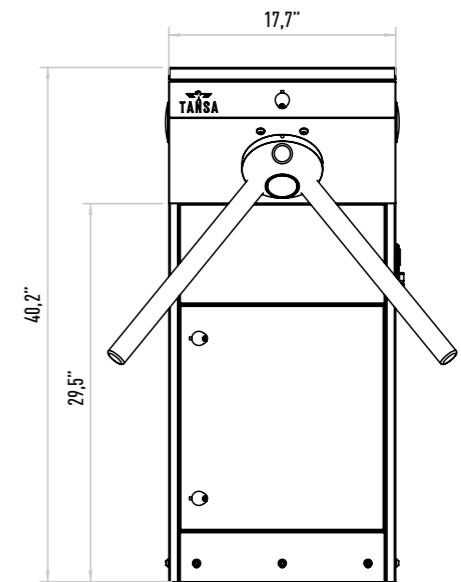
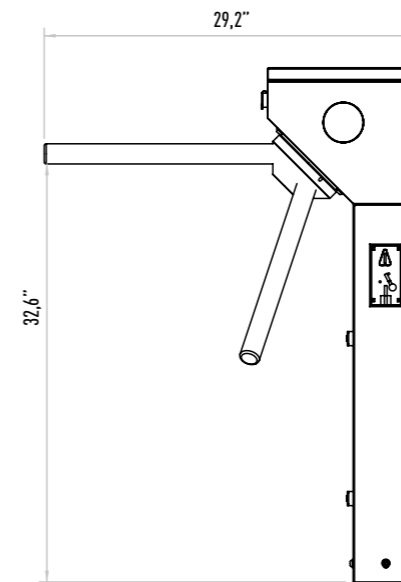
Deterrent.

Areas of Use

Suitable for indoor use. Can be used in outdoor with outdoor cover.

Accessories

Outdoor cover. Unauthorized passage notification system. Button control unit.
Remote control unit. Stainless steel bottom plate. Plexiglass reader assembly kit.
Reader assembly apparatus. Meter. RS232 communication unit.





LTT 313 EJD TRIPOD TURNSTILE

Operation

Can be adjusted to either direction, passage with coins or tokens.

Frame

Single-legged, AISI 304 quality stainless steel. Optional: AISI 316 quality.

Core and Arms

CNC-machined, aluminum cast core and polished. Ø 40x2.5 mm aluminum arms
Optional: Stainless steel arms.

Functions

Passage information (NC: Normally close or NO: Normally open). Internal coin unit.
Passage time. Memory mode. Audio warning. Adjustable passage direction.

Mechanism

AISI 304 quality stainless steel. Fail-Safe (arms rotate freely during power failure)
Optional: Fail Lock.

Emergency Mode

The arms rotate freely with the signal received from fire detection system.
Optional: Drop arm.

Indicator

Direction LEDs for both directions. Optional: Upper lid.

Operating Voltage

100-230 VAC. 47-60 Hz

Power Consumption

9.6W during passage, 10W during standby

Operating Temperature

0° / +70° Optional: With heater -40°

Passage Speed

~50 persons / minute.

Passage Width

45-50 cm

Weight

~42 kg

Security Level

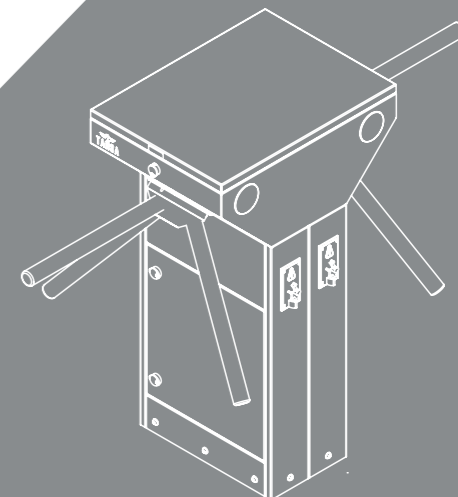
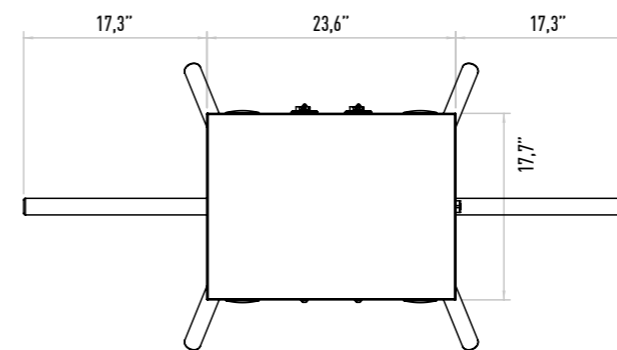
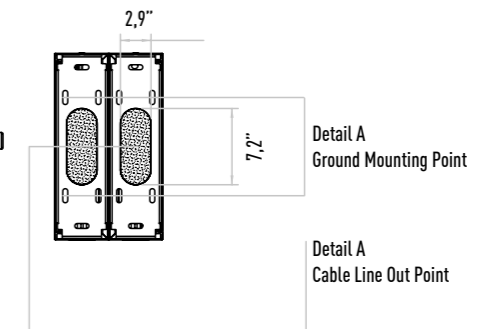
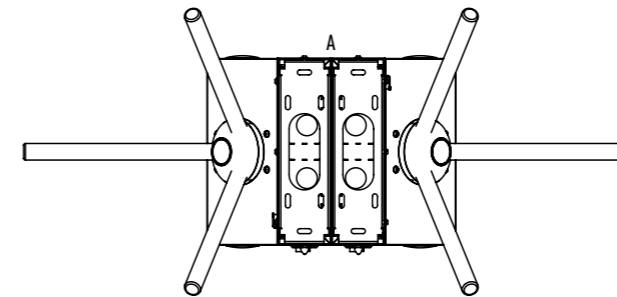
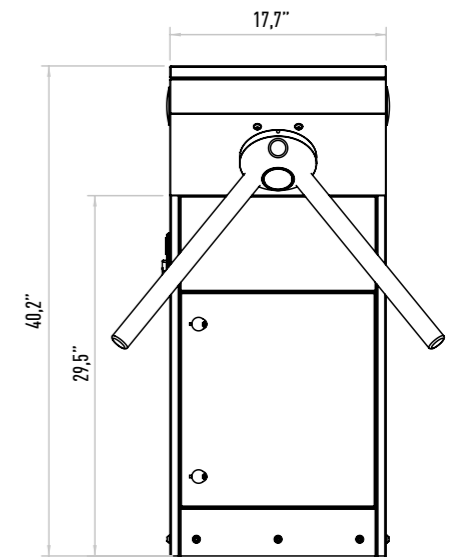
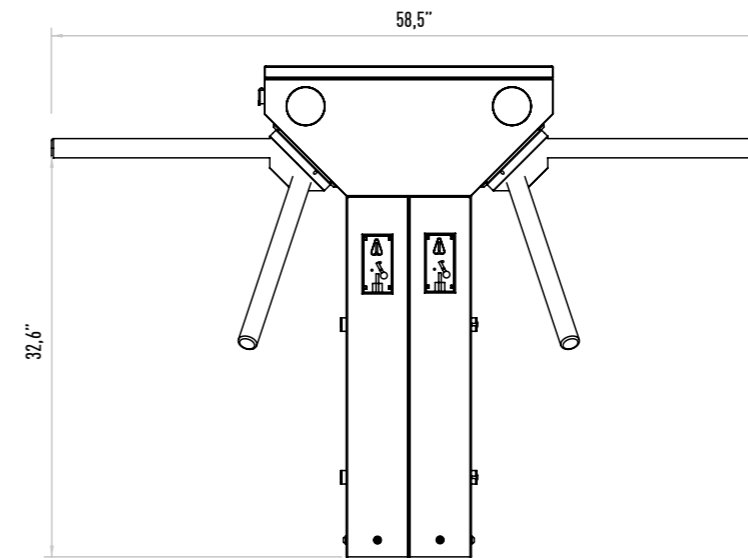
Deterrent.

Areas of Use

Suitable for indoor use. Can be used in outdoor with outdoor cover.

Accessories

Outdoor cover. Unauthorized passage notification system. Button control unit.
Remote control unit. Stainless steel bottom plate. Plexiglass reader assembly kit.
Reader assembly apparatus. Meter. RS232 communication unit.





LTT 323 TRIPOD TURNSTILE

Operation

Adjustable manual passage to either direction.

Frame

Two-legged, AISI 304 quality stainless steel. Optional: AISI 316 quality.

Core and Arms

CNC-machined, aluminum cast core and polished. Ø 40x2.5 mm aluminum arms
Optional: Stainless steel arms.

Functions

Passage information (NC: Normally close or NO: Normally open).
Passage time. Memory mode. Audio warning. Adjustable passage direction.

Mechanism

AISI 304 quality stainless steel. Fail-Safe (arms rotate freely during power failure)
Optional: Fail Lock.

Emergency Mode

The arms rotate freely with the signal received from fire detection system.
Optional: Drop arm.

Indicator

Direction LEDs for both directions. Optional: Upper lid.

Operating Voltage

100-230 VAC. 47-60 Hz

Power Consumption

3.8W during passage, 4.1W during standby

Operating Temperature

-10° / +70° Optional: With heater -40°

Passage Speed

~25 persons / minute.

Passage Width

45-50 cm

Weight

~30 kg

Security Level

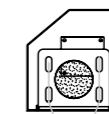
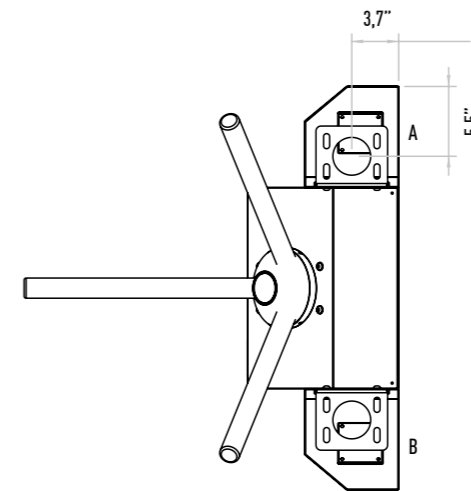
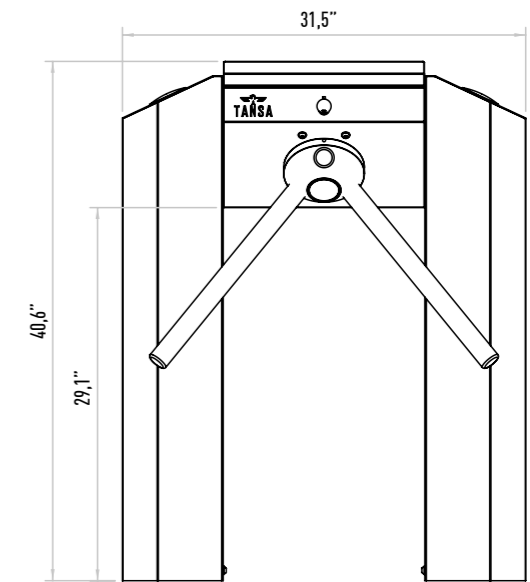
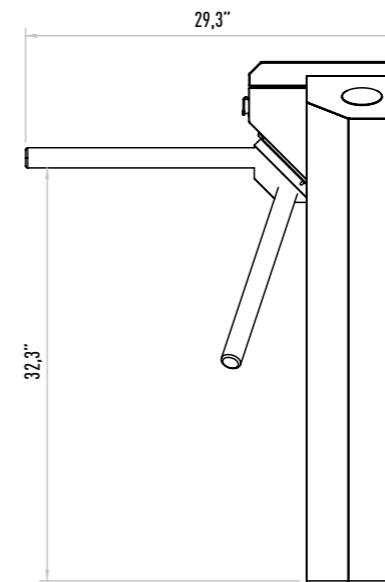
Deterrent.

Areas of Use

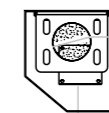
Suitable for indoor and outdoor use.

Accessories

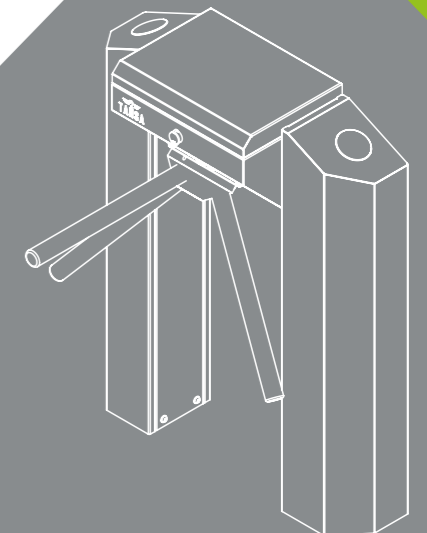
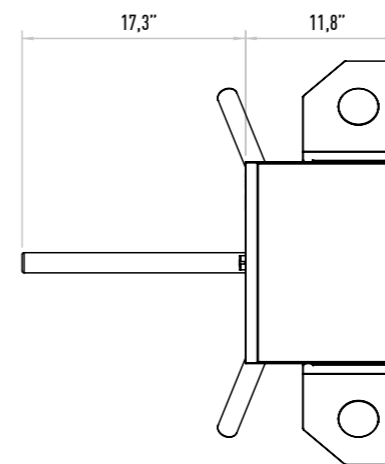
Outdoor cover. Unauthorized passage notification system. Button control unit.
Remote control unit. Stainless steel bottom plate. Plexiglass reader assembly kit.
Reader assembly apparatus. Meter. RS232 communication unit.



Detail A
Ground Mounting Point



Detail B
Cable Line Out Point





LTT 323 D TRIPOD TURNSTILE

Operation

Adjustable manual passage to either direction.

Frame

Two-legged, AISI 304 quality stainless steel. Optional: AISI 316 quality.

Core and Arms

CNC-machined, aluminum cast core and polished. Ø 40x2.5 mm aluminum arms
Optional: Stainless steel arms.

Functions

Passage information (NC: Normally close or NO: Normally open).
Passage time. Memory mode. Audio warning. Adjustable passage direction.

Mechanism

AISI 304 quality stainless steel. Fail-Safe (arms rotate freely during power failure)
Optional: Fail Lock.

Emergency Mode

The arms rotate freely with the signal received from fire detection system.
Optional: Drop arm.

Indicator

Direction LEDs for both directions. Optional: Upper lid.

Operating Voltage

100-230 VAC. 47-60 Hz

Power Consumption

7.6W during passage, 8.2W during standby

Operating Temperature

-10° / +70° Optional: With heater -40°

Passage Speed

~50 persons / minute.

Passage Width

45-50 cm

Weight

~52 kg

Security Level

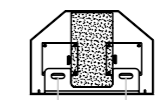
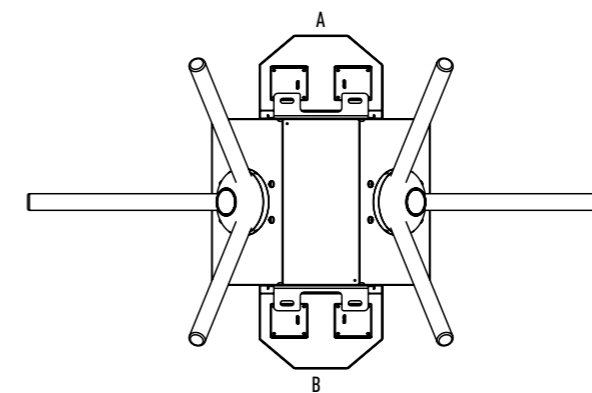
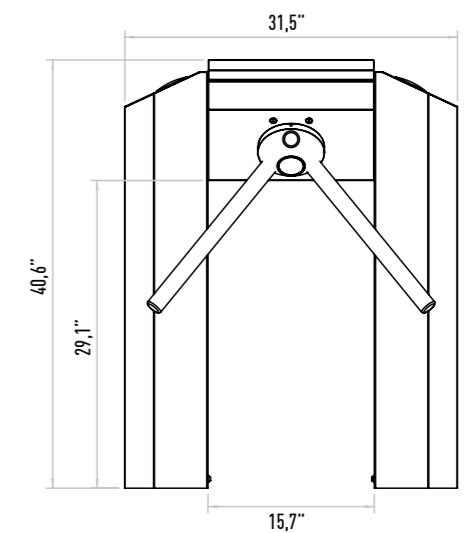
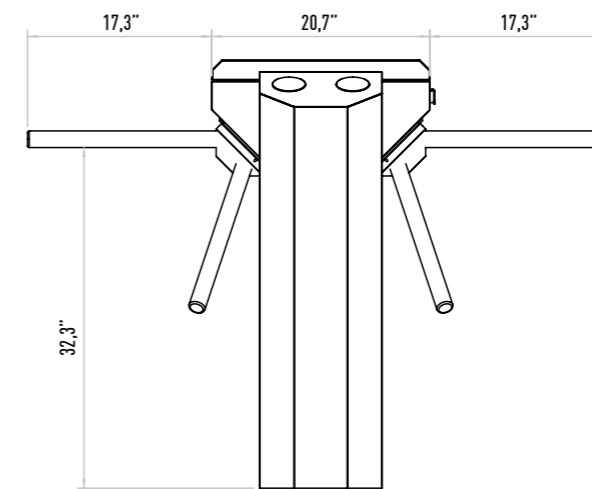
Deterrent.

Areas of Use

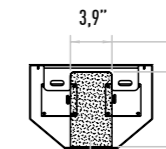
Suitable for indoor and outdoor use.

Accessories

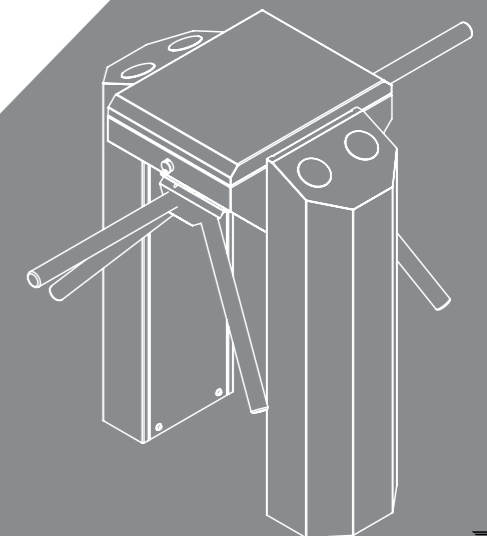
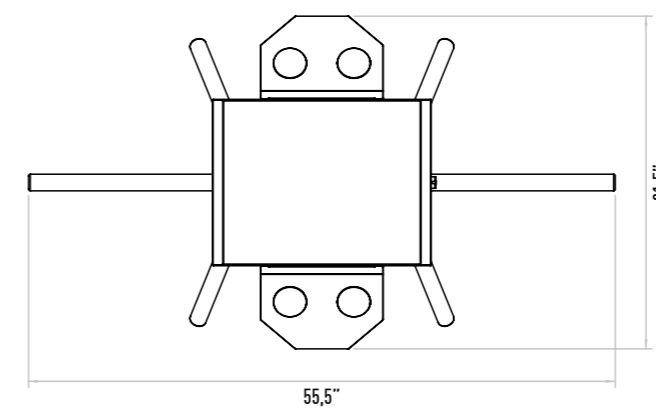
Outdoor cover. Unauthorized passage notification system. Button control unit.
Remote control unit. Stainless steel bottom plate. Plexiglass reader assembly kit.
Reader assembly apparatus. Meter. RS232 communication unit.



Detail A
Ground Mounting Point



Detail B
Cable Line Out Point





SWING GATE TURNSTILES

Swing Gate Turnstiles are designed for personal and VIP passages.
These motorized turnstiles are preferred for handicapped passages also.

SG 112 SWING GATE TURNSTILE

Operation

Bi-directional motor wing.

Frame

AISI 304 quality stainless steel. Optional: AISI 316 quality.

Wing

10 mm thick plexiglass.

Functions

Automatic closing. Service mode. Soft stop capability at locking points. Audio warning.

Mechanism

Fail-Safe (Free passage during power failure).

Emergency Mode

In case of emergency, the unit switches in to "emergency mode" following the signal received from fire detection system, and the wing can be opened in either directions automatically.

Operating Voltage

100-230 VAC, 47-60 Hz

Power Consumption

22 W during passages, 9 W during stand-by.

Operating Temperature

0° / +70°

Opening-Closing Speed

~1.5 sec.

Passage Width

60-80 cm

Weight

~34 kg

Security Level

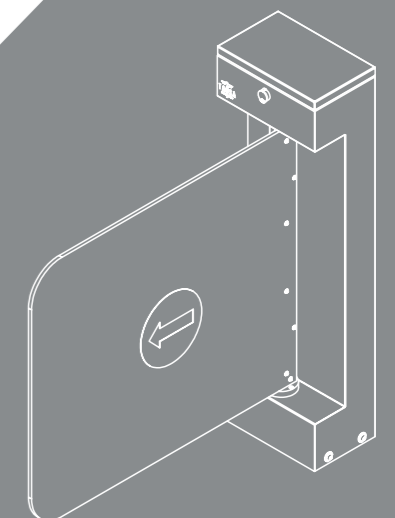
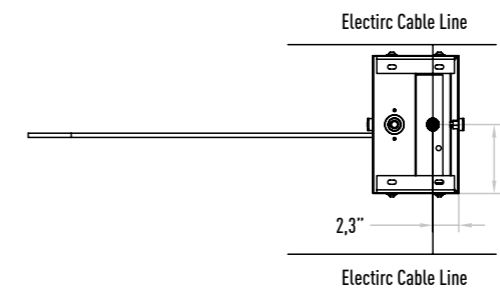
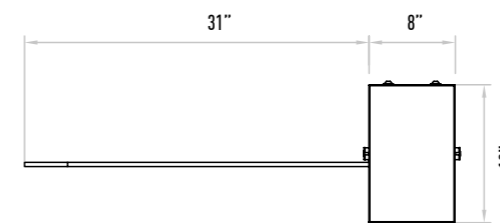
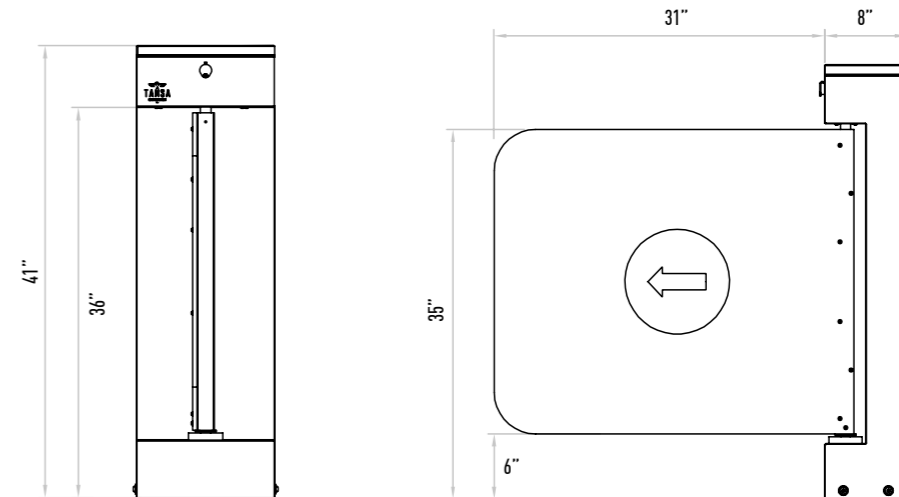
Deterrent.

Areas of Use

Suitable for indoor use.

Accessories

Direction leds. Remote controller unit. Button control unit. Logo engraving. Photocell with opposite unit. Stainless steel reading bracket. Meter. Stainless steel bottom plate.





SG 212 SWING GATE TURNSTILE

Operation

Bi-directional motor wing

Frame

AISI 304 quality stainless steel. Optional: AISI 316 quality.

Wing

Polished aluminum wing with 5 mm plexiglass in the middle.

Functions

Automatic closing. Service mode. Soft stop capability at locking points. Audio warning.

Mechanism

Fail-Safe (Free passage during power failure).

Emergency Mode

In case of emergency, the unit switches in to "emergency mode" following the signal received from fire detection system, and the wing can be opened in either directions automatically.

Operating Voltage

100-230 VAC, 47-60 Hz

Power Consumption

19 W during passages, 9 W during stand-by.

Operating Temperature

-10° / +70°

Opening-Closing Speed

~1.5 sec.

Passage Width

80-100 cm

Weight

~27 kg

Security Level

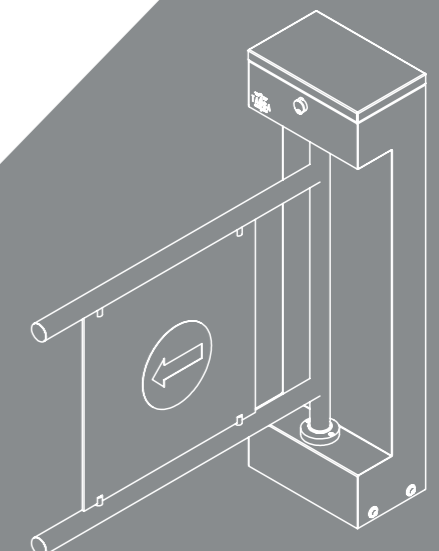
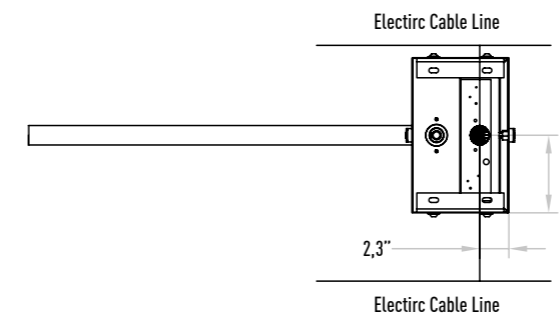
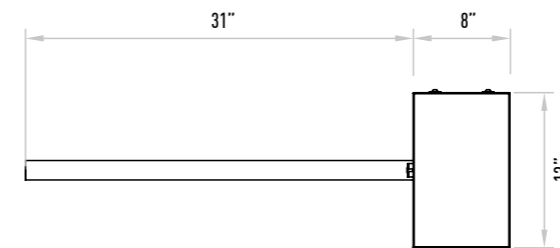
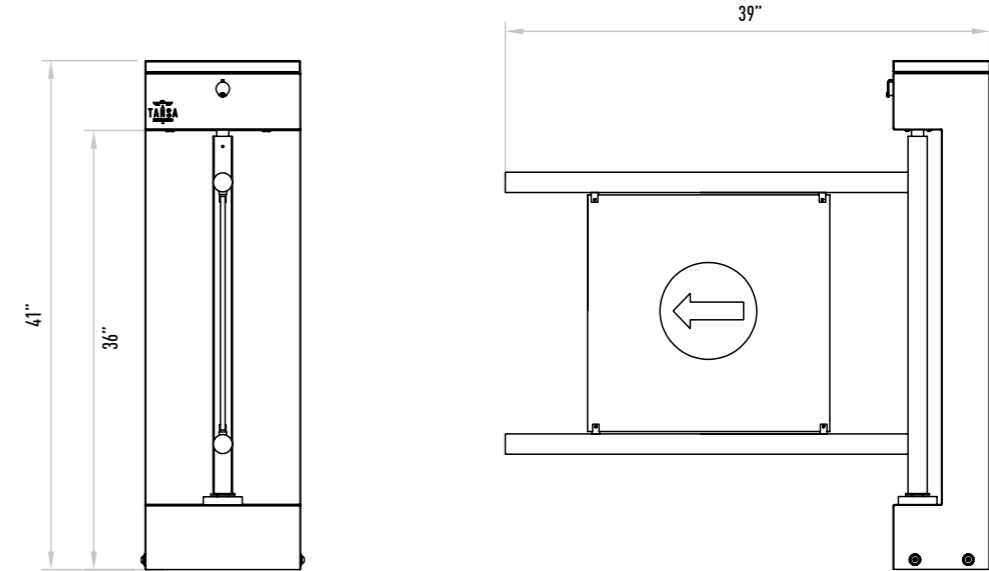
Deterrent.

Areas of Use

Suitable for indoor and outdoor use.

Accessories

Direction leds. Remote controller unit. Button control unit. Logo engraving. Photocell with opposite unit. Stainless steel reading bracket. Meter. Stainless steel bottom plate.





SG 312 SWING GATE TURNSTILE

Operation

Motor wing operable in either direction.

Frame

AISI 304 quality stainless steel. Optional: AISI 316 quality.

Wing

AISI 314 AISI 304 quality stainless steel.

Functions

Automatic closing. Service mode. Soft stop capability at locking points. Audio warning.

Mechanism

Fail-Safe (Free passage during power failure).

Emergency Mode

In case of emergency, the unit switches in to "emergency mode" following the signal received from fire detection system, and the wing can be opened in either directions automatically.

Operating Voltage

100-230 VAC, 47-60 Hz

Power Consumption

17 W during passages, 9 W during stand-by

Operating Temperature

-10° / +70°

Opening-Closing Speed

~1.5 sec.

Passage Width

80-100 cm

Weight

~30 kg

Security Level

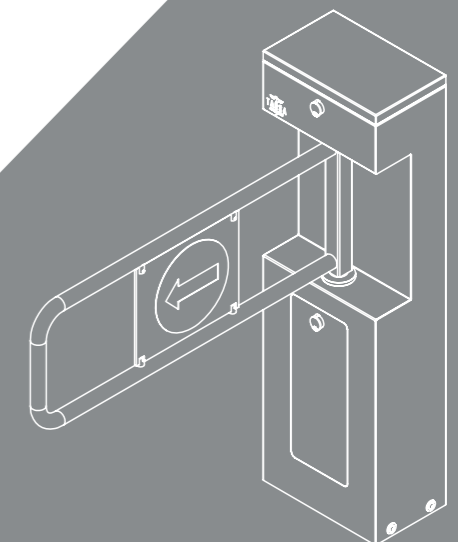
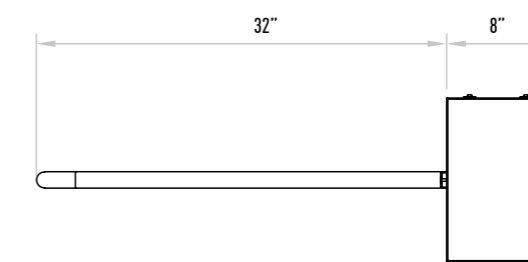
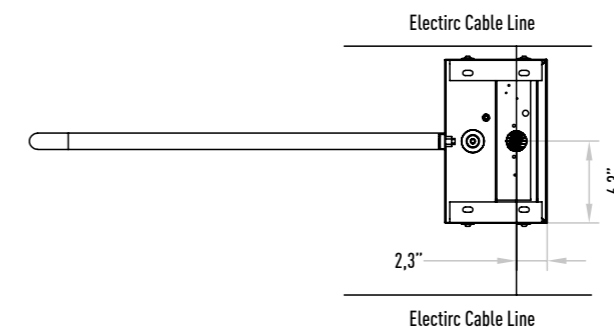
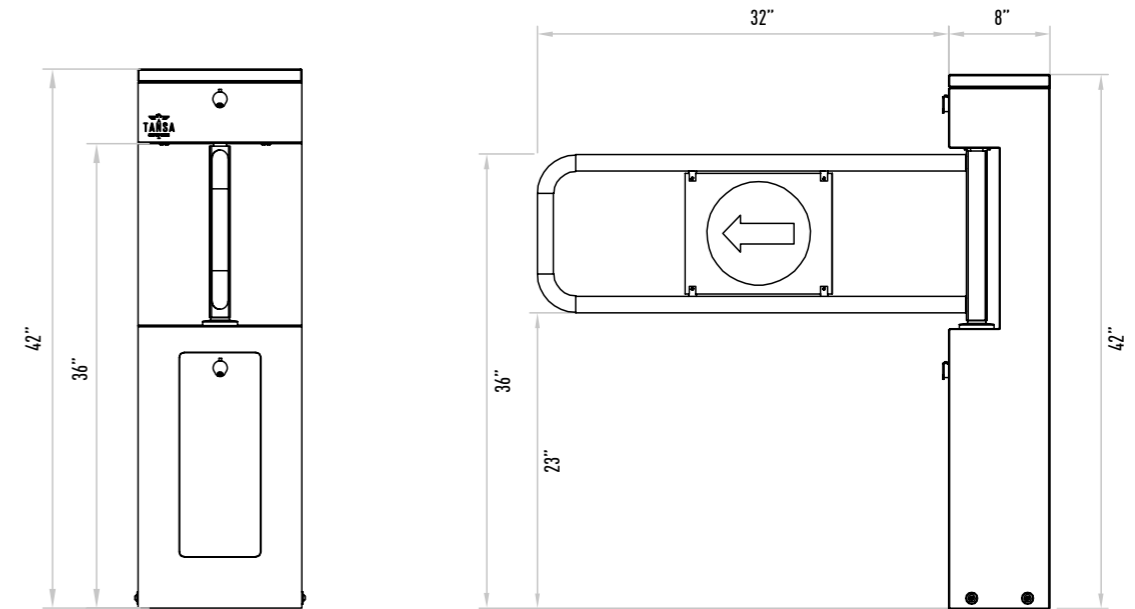
Deterrent.

Areas of Use

Suitable for indoor and outdoor use.

Accessories

Direction leds. Remote controller unit. Button control unit. Logo engraving. Photocell with opposite unit. Stainless steel reading bracket. Meter. Stainless steel bottom plate.





SG 343 SWING GATE TURNSTILE

Operation

Bi-directional motor wing.

Frame

2 pieces, 2 mm thick polished shiny AISI 304 quality stainless steel pipe and stainless steel direction profiles.

Wing

10 mm thick tempered glass. Optional: Plexiglass.

Functions

Adjustable passage information. Passage time. Memory mode. Audio warning. Adjustable passage direction.

Mechanism

Fail-Safe (Free passage during power failure).

Emergency Mode

In case of emergency, the unit switches in to "emergency mode" following the signal received from manual button or fire detection system, and the wing can be opened in either directions automatically.

Operating Voltage

100-230 VAC, 47-60 Hz

Power Consumption

24W during passages, 15W during stand-by

Operating Temperature

0° / +70°

Opening-Closing Speed

~2 sec.

Passage Width

56 cm

Weight

~56 kg

Security Level

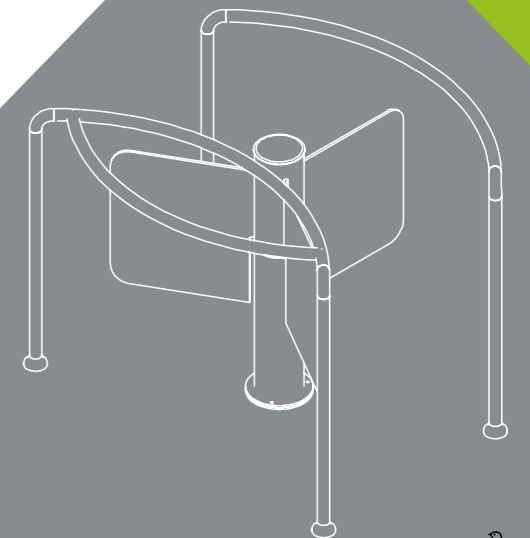
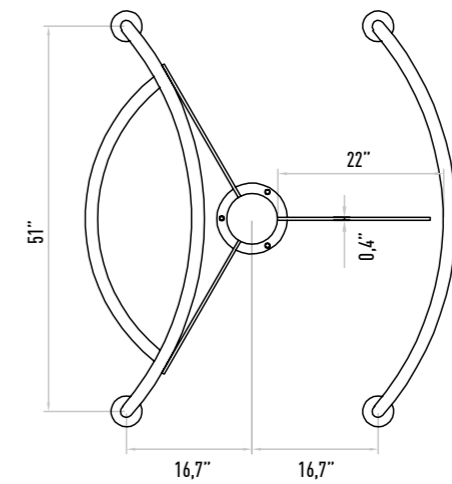
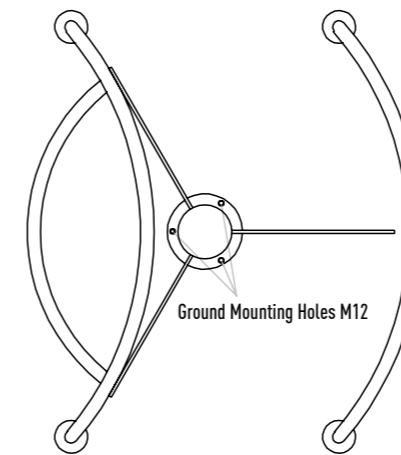
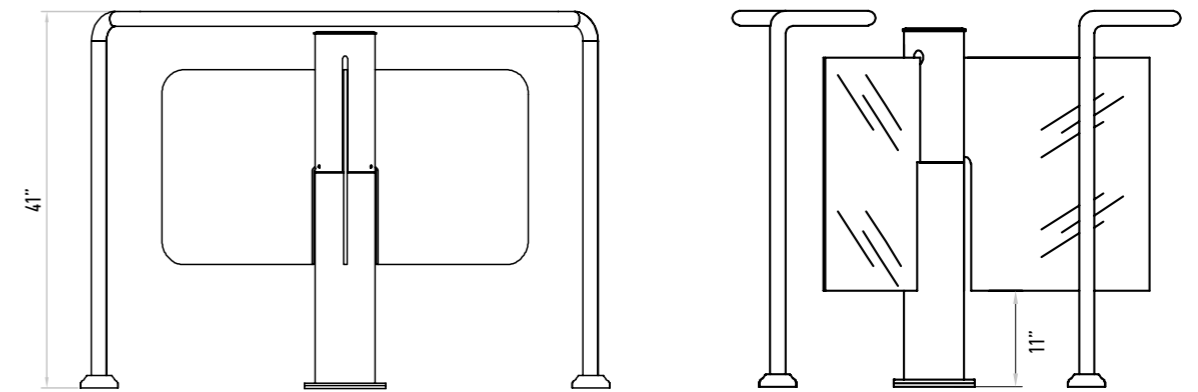
Deterrent.

Areas of Use

Suitable for indoor use.

Accessories

Remote controller unit. Button control unit. Photocell with opposite unit. Meter. Stainless steel reading bracket. Stainless steel bottom plate. Logo engraving. Tempered glass side panels. Led wing lighting.



SG WMC SWING GATE TURNSTILE



Operation

Bi-directional motor wing.

Frame

2 mm thick polished, shiny AISI 304 quality stainless steel.

Wing

10 mm thick plexiglass. Led illumination.

Optional: Tempered glass (60-70 cm).

Functions

Automatic closing. Service mode. Soft stop capability at locking points.

Audio warning.

Mechanism

Fail-Safe (Free passage during power failure).

Emergency Mode

In case of emergency, the unit switches in to "emergency mode" following the signal received from manual button or fire detection system, and the wing can be opened in either directions automatically.

Operating Voltage

100-230 VAC, 47-60 Hz

Power Consumption

22 W during passages, 9 W during stand-by.

Operating Temperature

0° / +70°

Opening-Closing Speed

~1.5 sec.

Passage Width

60-90 cm

Weight

~40 kg

Security Level

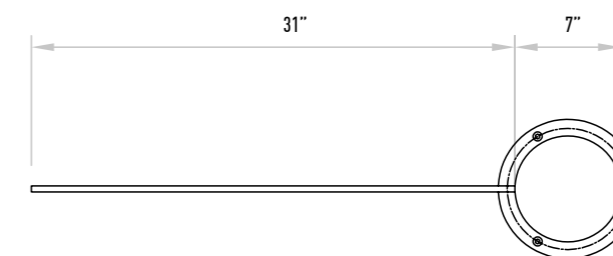
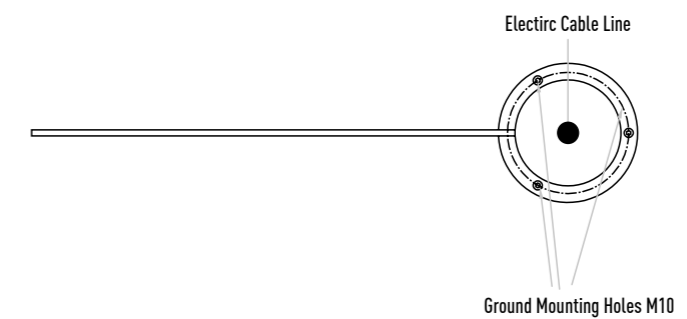
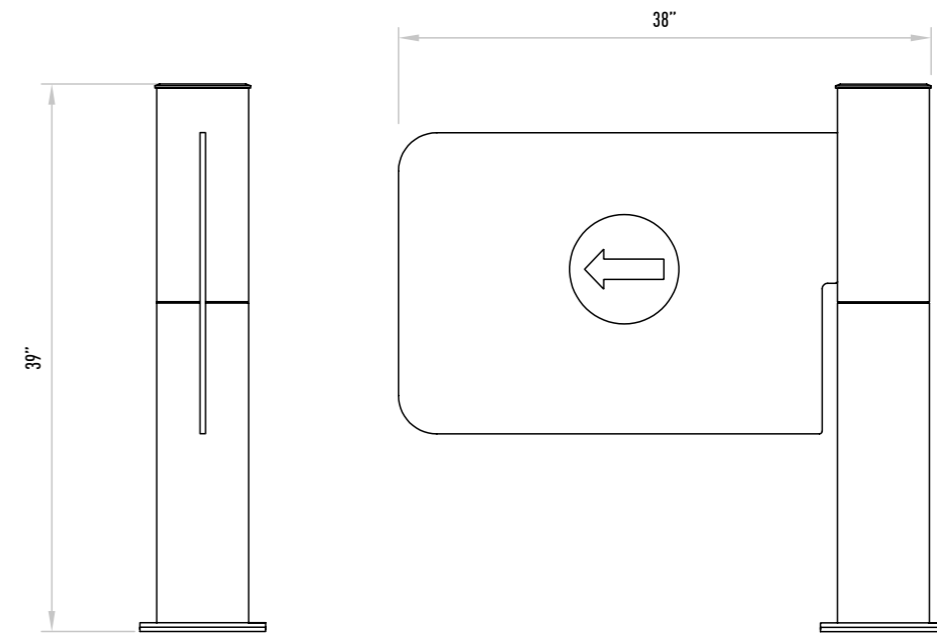
Deterrent.

Areas of Use

Suitable for indoor use.

Accessories

Remote control unit. Stainless steel opposite unit. Photocell with opposite unit. Meter. Stainless steel reading bracket. Stainless steel bottom plate. Logo engraving.





SGWS/WL/WE SWING GATE TURNSTILE

Operation

Manual transition.

SG1WS Spring type, opening to uni direction.

SG2WS Spring type, opening to bi-direction.

SG1WL Spring type with mechanical key locked, opening to uni direction.

SG2WL Spring type with mechanical key locked, opening to bi-direction.

SG1WE Electrical lock, opening to uni direction.

SG2WE Electrical lock, opening to bi-direction.

Frame

2 pieces 2 mm thick polished shiny AISI 304 quality stainless steel pipe.

Wing

1.5 mm thickness AISI 304 quality stainless steel.

Optional: 10mm thick plexiglass.

Functions

Opens manually. Closes automatically with spring system.

Passage Width

80-100 cm

Weight

~18 kg

Security Level

Deterrent

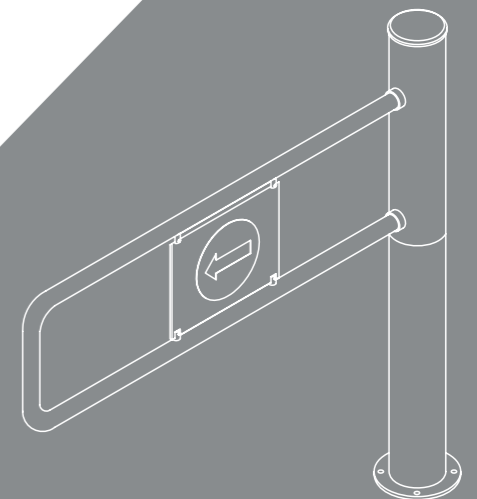
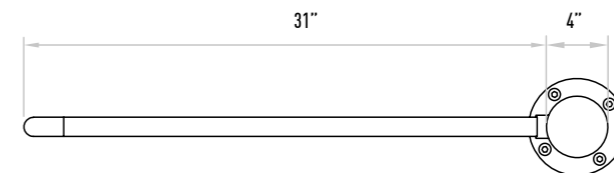
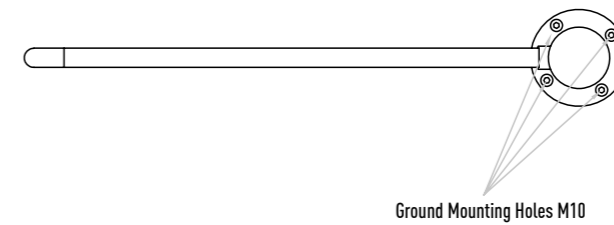
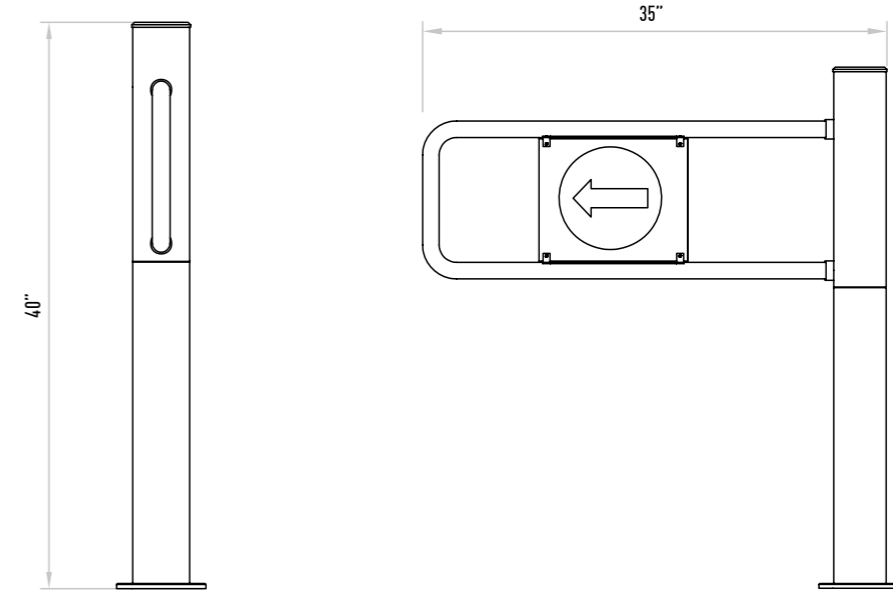
Areas of Use

Suitable for indoor and outdoor use.

Accessories

Remote control unit. Stainless steel opposite unit. Photocell with opposite unit.

Outdoor cover. Button control unit.





SPEED GATE TURNSTILES

Speed Gate Turnstiles are designed for functional and elegant entrances. Our model's different finish options enable architects and interior decorators to apply to various designs for indoor use.



LTOP 111 SPEED GATE TURNSTILE

Operation

Controlled or control-free entrance/exit in both directions.

Chassis

AISI 304 quality stainless steel. Optional: Black stainless steel.

Wing

Angular winged, 10 mm tempered glass. Optional: Smoke colored glass.

Upper Table

10 mm black tempered glass. Optional: Wood.

Functions

Operates bidirectionally and allows the passage of a single person only with its microprocessor control. Electronic passage memory feature saves in memory card swipes that occur before a passage is completed and allows them to pass without closing the wings. Optional: 2 x RS232 and 1 x RS485 communication ports.

Mechanism

With its adjustable mechanical torque control, the unit does not cause injury in the event of any jamming.

Sensors

6 reciprocal sensors in every corridor.

Emergency Mode

Turnstile switches to emergency mode upon the receipt of a signal from fire detection system and wings open. Optional: In case of power shortage, wings automatically switch to open position with the power supplied from the accumulator (Fail Safe).

Safety Level Setting

There are 2 security level adjustments that the customer can adjust. Unauthorized and reverse transitions are detected and voice / confidential notification is made.

Indicator

Led lighting around the top plate and transition leds. Led lighting on wings.

Operating Voltage

100-230 VAC. 47-60 Hz

Power Consumption

58W during passage, 9W during standby (For two wings).

Operating Temperature

0° / +70°

Passage Speed

~40 persons / minute.

Passage Width

50 cm

Weight

~79 kg (Single wing)

Security Level

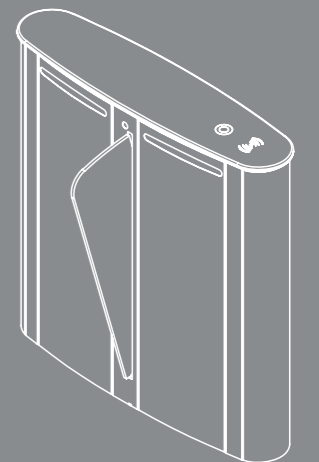
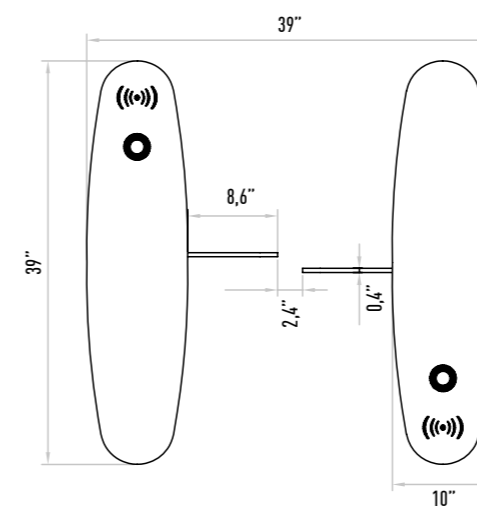
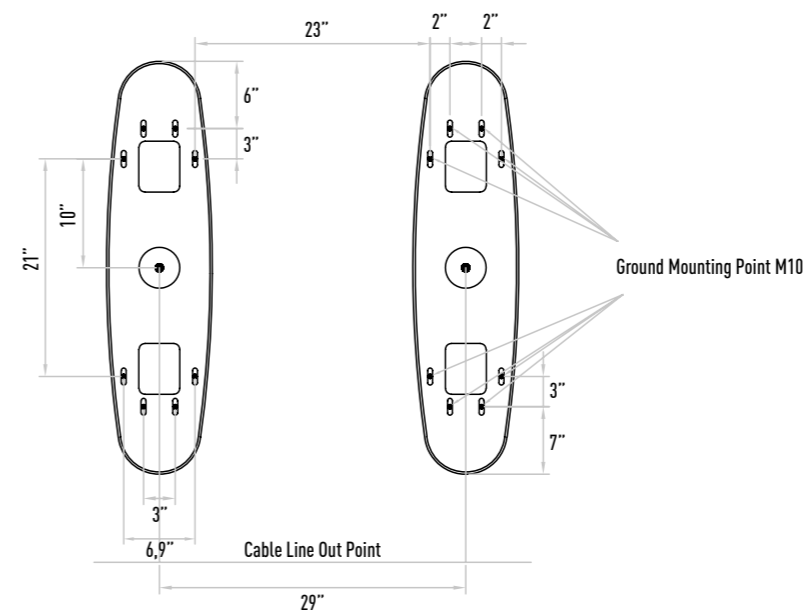
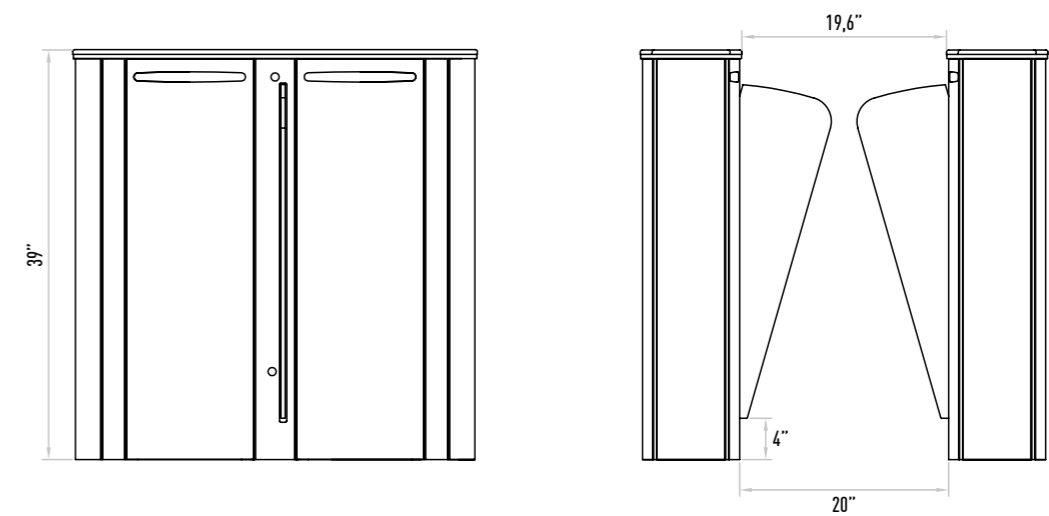
Deterrent.

Areas of Use

Suitable for indoor use.

Accessories

Logo engraving. Sticker. Remote control unit. Stainless steel reader apparatus. Meter. Button control unit. Stainless steel reader leg. Stainless steel bottom plate.



LTOP 111 H SPEED GATE TURNSTILE



Operation

Controlled or control-free entrance/exit in both directions.

Chassis

AISI 304 quality stainless steel. Optional: Black stainless steel.

Wing

Angular, double layer, 8 mm tempered glass. Optional: Smoke colored glass.

Upper Table

10 mm black tempered glass. Optional: Wood.

Functions

Operates bidirectionally and allows the passage of a single person only with its microprocessor control. Electronic passage memory feature saves in memory card swipes that occur before a passage is completed and allows them to pass without closing the wings. Optional: 2 x RS232 and 1 x RS485 communication ports.

Mechanism

With its adjustable mechanical torque control, the unit does not cause injury in the event of any jamming.

Sensors

6 reciprocal sensors in every corridor.

Emergency Mode

Turnstile switches to emergency mode upon the receipt of a signal from fire detection system and wings open. Optional: In case of power shortage, wings automatically switch to open position with the power supplied from the accumulator (Fail Safe).

Safety Level Setting

There are 2 security level adjustments that the customer can adjust. Unauthorized and reverse transitions are detected and voice / confidential notification is made.

Indicator

Led lighting around the top plate and transition leds. Led lighting on wings.

Operating Voltage

100-230 VAC. 47-60 Hz

Power Consumption

58W during passage, 9W during standby (For two wings).

Operating Temperature

0° / +70°

Passage Speed

~25 persons / minute.

Passage Width

90 cm

Weight

~85 kg (Single wing)

Security Level

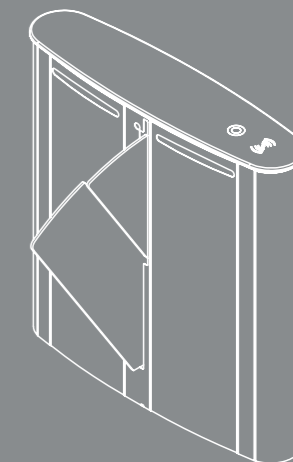
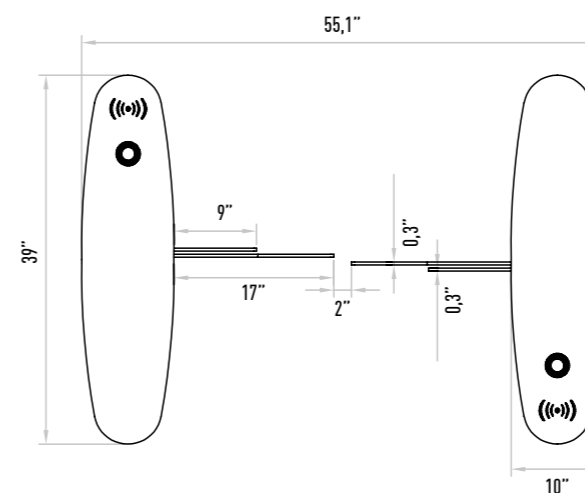
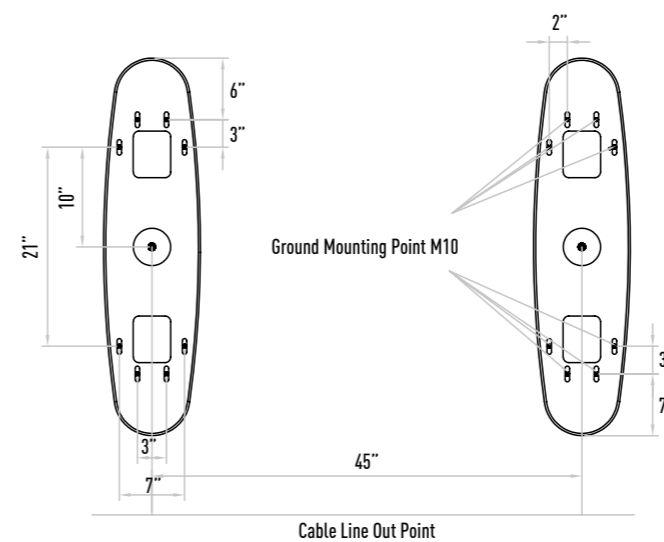
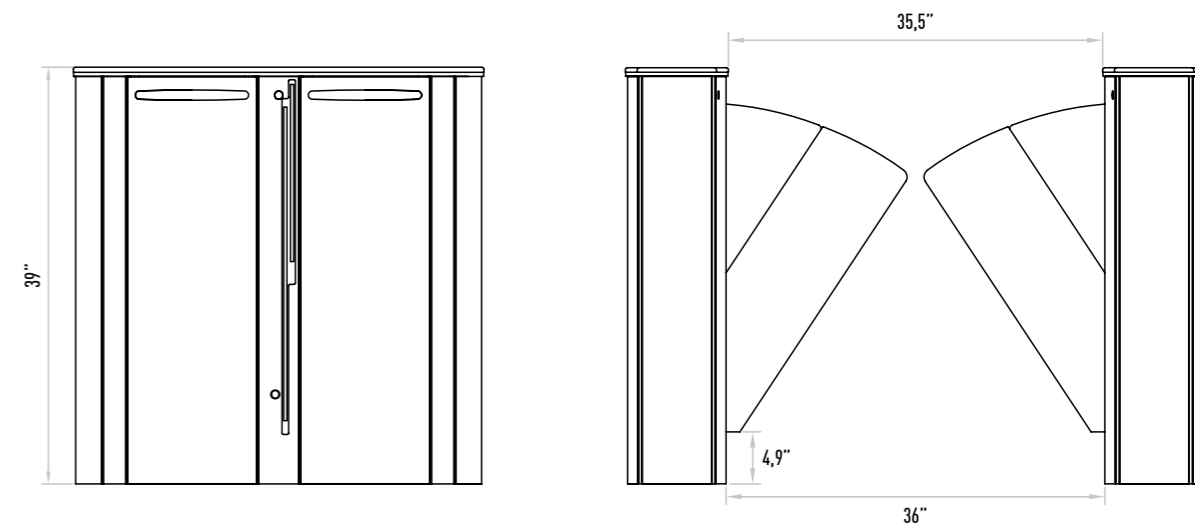
Deterrent.

Areas of Use

Suitable for indoor use.

Accessories

Logo engraving. Sticker. Remote control unit. Stainless steel reader apparatus. Meter. Button control unit. Stainless steel reader leg. Stainless steel bottom plate.





LTOP 101 SPEED GATE TURNSTILE

Operation

Controlled or control-free entrance/exit in both directions.

Chassis

AISI 304 quality stainless steel. Optional: Black stainless steel.

Wing

Angular winged, 10 mm tempered glass. Optional: Smoke colored glass.

Upper Table

10 mm black tempered glass. Optional: Wood.

Functions

Operates bidirectionally and allows the passage of a single person only with its microprocessor control. Electronic passage memory feature saves in memory card swipes that occur before a passage is completed and allows them to pass without closing the wings. Optional: 2 x RS232 and 1 x RS485 communication ports.

Mechanism

With its adjustable mechanical torque control, the unit does not cause injury in the event of any jamming.

Sensors

8 reciprocal sensors in every corridor.

Emergency Mode

Turnstile switches to emergency mode upon the receipt of a signal from fire detection system and wings open. In case of power shortage, wings automatically switch to open position with the power supplied from the accumulator (Fail Safe).

Safety Level Setting

With 4 security levels that can be defined as desired by the customer, turnstile is able to detect unauthorized passes and passes in the opposite direction and prevents or notifies, with audio or discreetly.

Indicator

Operating Voltage

100-230 VAC. 47-60 Hz

Power Consumption

84W during passage, 10W during standby (For two wings).

Operating Temperature

0° / +70°

Passage Speed

~40 persons / minute.

Passage Width

56 cm

Weight

~138 kg (Single wing)

Security Level

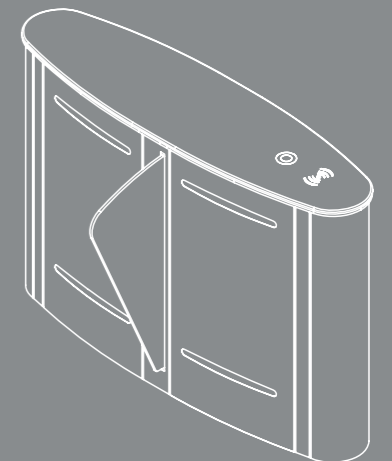
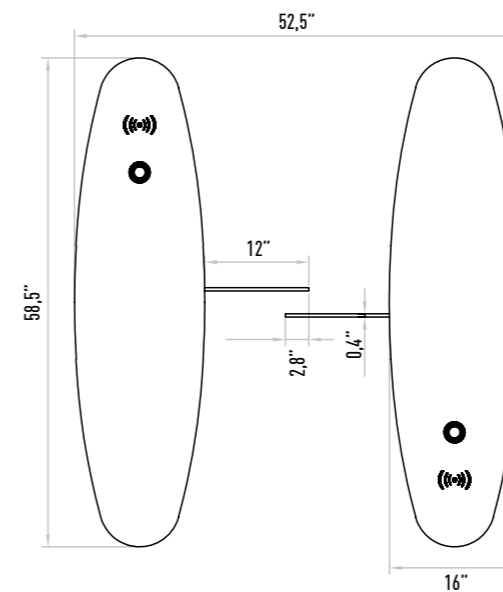
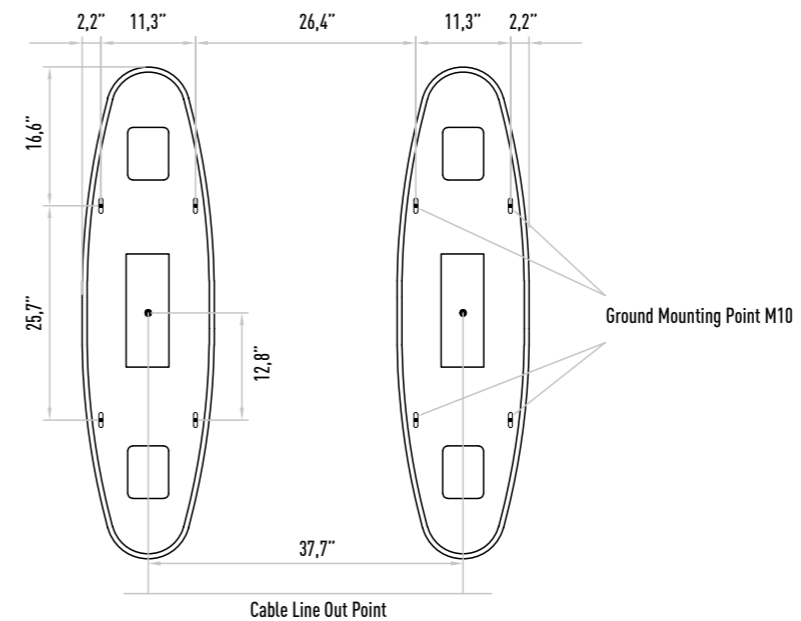
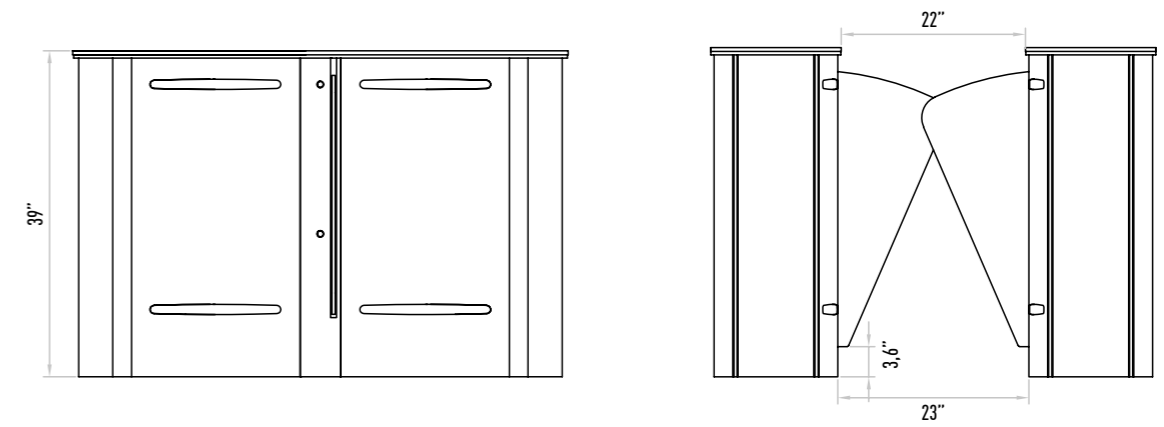
Deterrent.

Areas of Use

Suitable for indoor use.

Accessories

Logo engraving. Sticker. Remote control unit. Stainless steel reader apparatus. Meter. Button control unit. Stainless steel reader leg. Stainless steel bottom plate.





LTOP 101 H SPEED GATE TURNSTILE

Operation

Controlled or control-free entrance/exit in both directions.

Chassis

AISI 304 quality stainless steel. Optional: Black stainless steel.

Wing

Angular double stage 8 mm tempered glass. Optional: Smoke colored glass.

Upper Table

10 mm black tempered glass. Optional: Wood.

Functions

Operates bidirectionally and allows the passage of a single person only with its microprocessor control. Electronic passage memory feature saves in memory card swipes that occur before a passage is completed and allows them to pass without closing the wings. Optional: 2 x RS232 and 1 x RS485 communication ports.

Mechanism

With its adjustable mechanical torque control, the unit does not cause injury in the event of any jamming.

Sensors

7 reciprocal sensors in every corridor.

Emergency Mode

Turnstile switches to emergency mode upon the receipt of a signal from fire detection system and wings open. In case of power shortage, wings automatically switch to open position with the power supplied from the accumulator (Fail Safe).

Safety Level Setting

With 4 security levels that can be defined as desired by the customer, turnstile is able to detect unauthorized passes and passes in the opposite direction and prevents or notifies, with audio or discreetly.

Indicator

Operating Voltage

100-230 VAC. 47-60 Hz

Power Consumption

100W during passage, 10W during standby (For two wings).

Operating Temperature

0° / +70°

Passage Speed

~25 persons / minute.

Passage Width

90 cm

Weight

~146 kg (Single wing)

Security Level

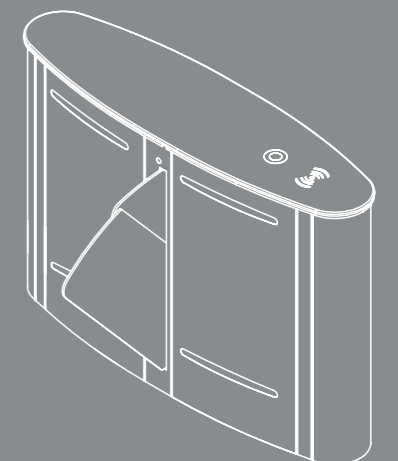
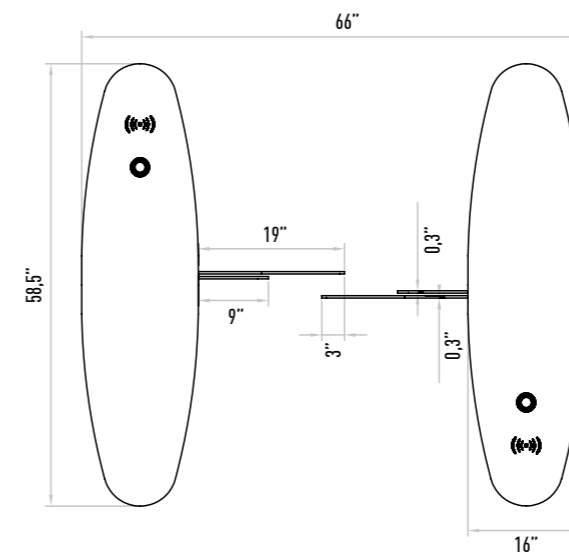
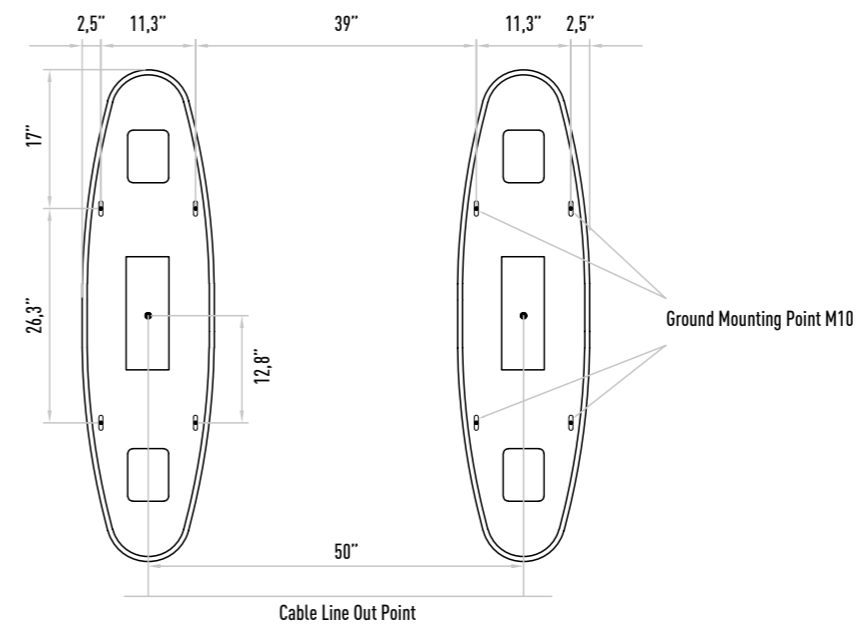
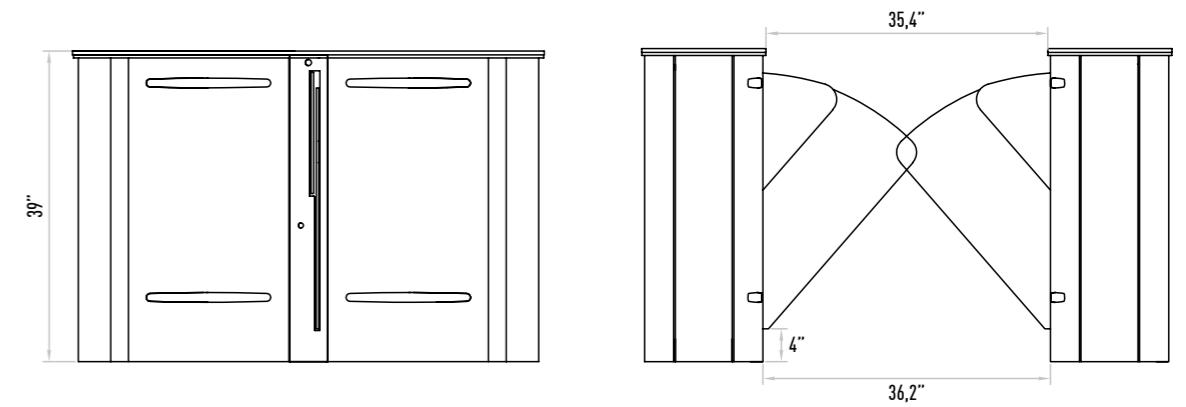
Deterrent.

Areas of Use

Suitable for indoor use.

Accessories

Logo engraving. Sticker. Remote control unit. Stainless steel reader apparatus. Meter. Button control unit. Stainless steel reader leg. Stainless steel bottom plate.





LTOP 201 SPEED GATE TURNSTILE

Operation

Controlled or control-free entrance/exit in both directions.

Chassis

AISI 304 quality stainless steel. Optional: Black stainless steel.

Wing

Angular winged 10 mm tempered glass. Optional: Smoke colored glass.

Upper Table

10 mm black tempered glass. Optional: Wood.

Functions

Operates bidirectionally and allows the passage of a single person only with its microprocessor control. Electronic passage memory feature saves in memory card swipes that occur before a passage is completed and allows them to pass without closing the wings. Optional: 2 x RS232 and 1 x RS485 communication ports.

Mechanism

With its adjustable mechanical torque control, the unit does not cause injury in the event of any jamming.

Sensors

8 reciprocal sensors in every corridor.

Emergency Mode

Turnstile switches to emergency mode upon the receipt of a signal from fire detection system and wings open. Optional: In case of power shortage, wings automatically switch to open position with the power supplied from the accumulator (Fail Safe).

Safety Level Setting

With 2 security levels that can be defined as desired by the customer, turnstile is able to detect unauthorized passes and passes in the opposite direction and prevents or notifies, with audio or discreetly.

Indicator

Operating Voltage

100-230 VAC. 47-60 Hz

Power Consumption

84W during passage, 10W during standby (For two wings).

Operating Temperature

0° / +70°

Passage Speed

~40 persons / minute.

Passage Width

56 cm

Weight

~142 kg (Single wing)

Security Level

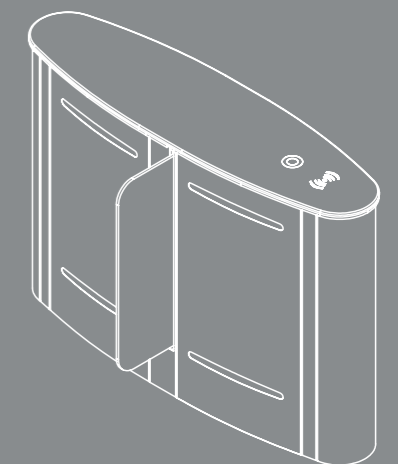
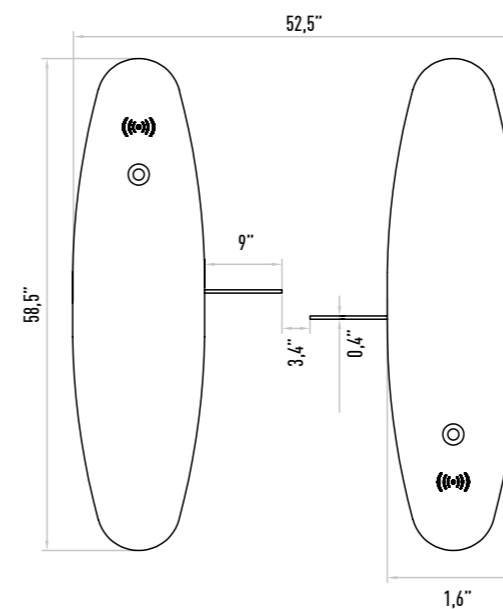
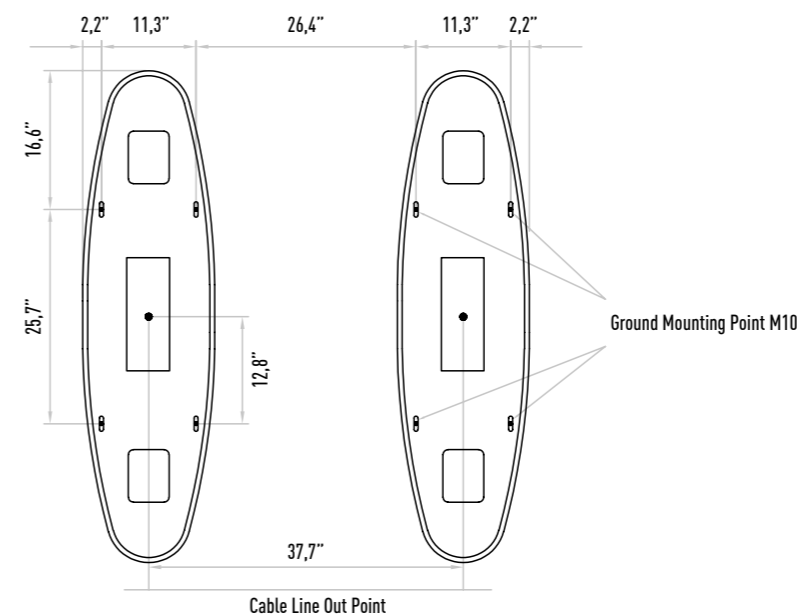
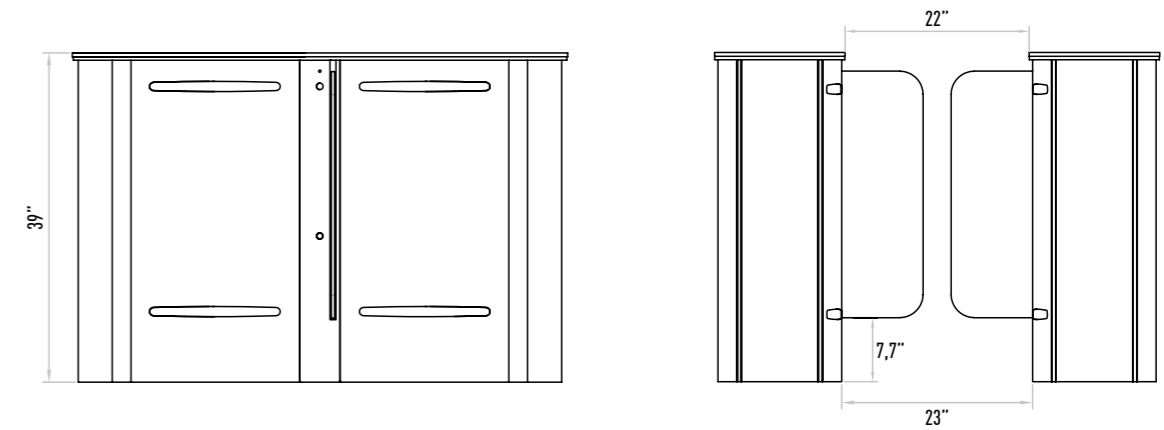
Deterrent.

Areas of Use

Suitable for indoor use.

Accessories

Logo engraving. Sticker. Remote control unit. Stainless steel reader apparatus. Meter. Button control unit. Stainless steel reader leg. Stainless steel bottom plate.





LTOP 301 SPEED GATE TURNSTILE

Operation

Controlled or control-free entrance/exit in both directions.

Chassis

AISI 304 quality stainless steel. Optional: Black stainless steel.

Wing

With high glass, linear winged 10 mm tempered glass. Height: 170 cm.
Optional: Smoke colored glass. Height: 130 cm / 150 cm

Upper Table

10 mm black tempered glass. Optional: Wood.

Functions

Operates bidirectionally and allows the passage of a single person only with its microprocessor control. Electronic passage memory feature saves in memory card swipes that occur before a passage is completed and allows them to pass without closing the wings. Optional: 2 x RS232 and 1 x RS485 communication ports.

Mechanism

With its adjustable mechanical torque control, the unit does not cause injury in the event of any jamming.

Sensors

8 reciprocal sensors in every corridor.

Emergency Mode

Turnstile switches to emergency mode upon the receipt of a signal from fire detection system and wings open. Optional: In case of power shortage, wings automatically switch to open position with the power supplied from the accumulator (Fail Safe).

Safety Level Setting

With 4 security levels that can be defined as desired by the customer, turnstile is able to detect unauthorized passes and passes in the opposite direction and prevents or notifies, with audio or discreetly.

Indicator

Led lighting around the top plate and transition leds.

Operating Voltage

100-230 VAC. 47-60 Hz

Power Consumption

120W during passage, 10W during standby (For two wings).

Operating Temperature

0° / +70°

Passage Speed

~40 persons / minute.

Passage Width

56 cm

Weight

~148 kg (Single wing)

Security Level

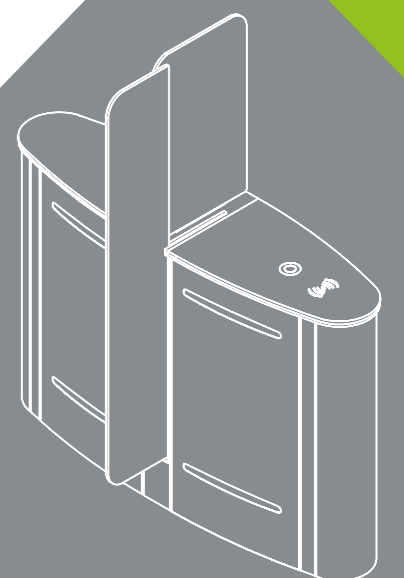
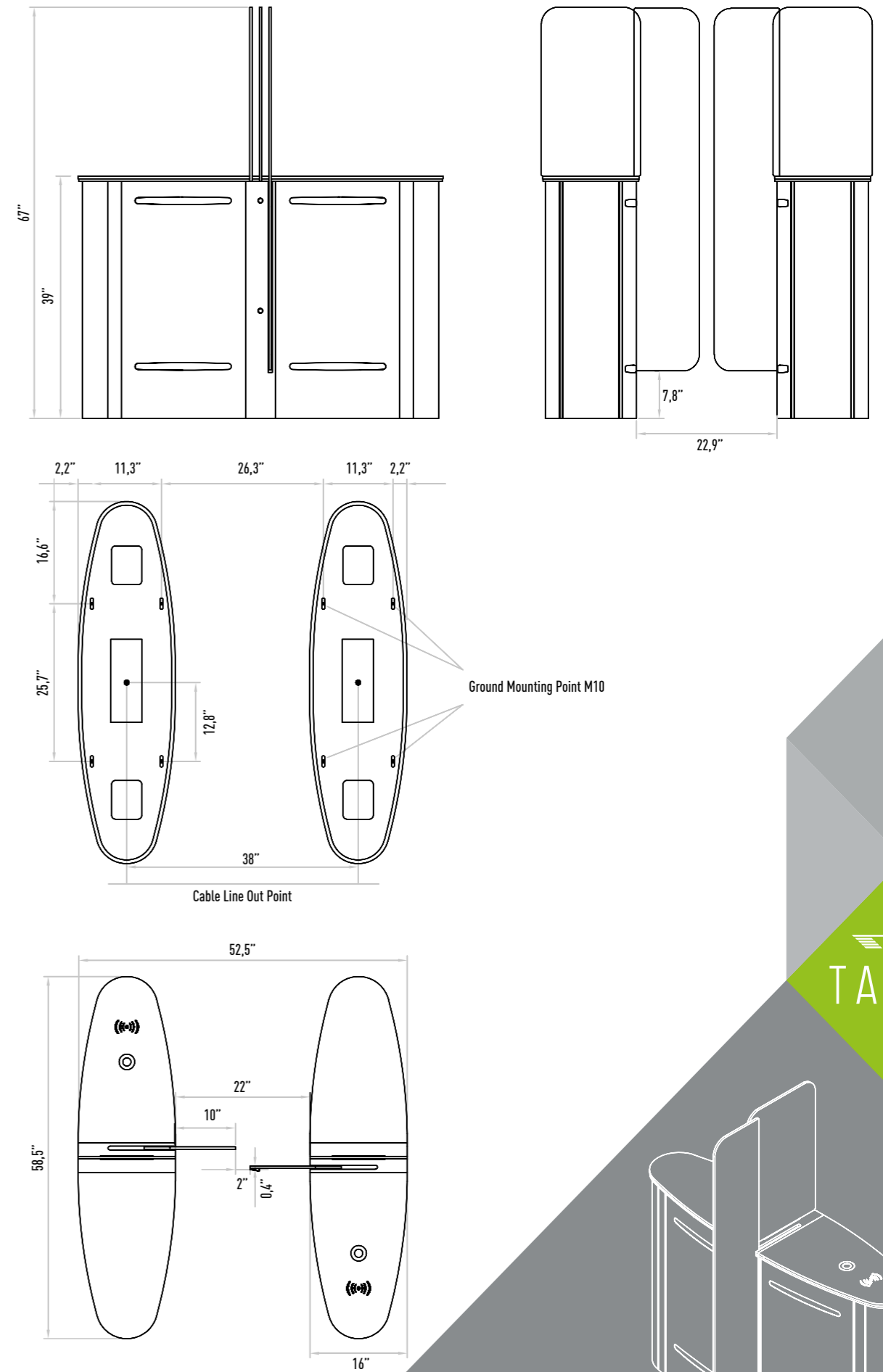
High Security.

Areas of Use

Suitable for indoor use.

Accessories

Logo engraving. Sticker. Remote control unit. Stainless steel reader apparatus. Meter. Button control unit. Stainless steel reader leg. Stainless steel bottom plate.



LTOP 401 SPEED GATE TURNSTILE



Operation

Controlled or control-free entrance / exit in both directions.

Chassis

AISI 304 quality stainless steel. Optional: Black stainless steel.

Wing

None.

Upper Table

10 mm black tempered glass.

Functions

Operation in either directions with microprocessor control and ability to detect side by side, successive and opposite passes thanks to upper level sensors, audio / silent alarm. Memory feature ensures that authorizations during passes are kept in memory, resulting in very fast entry and exit.

Mechanism

None.

Sensors

10 reciprocal sensors in every corridor. Optional: 16 reciprocal sensors.

Emergency Mode

Turnstile switches to emergency mode upon the receipt of a signal from fire detection system and passes in both directions become possible.

Safety Level Setting

With 4 security levels that can be defined as desired by the customer, turnstile is able to detect unauthorized passes and passes in the opposite direction and prevents or notifies, with audio or discreetly.

Indicator

Led lighting around the top plate and transition leds.

Operating Voltage

100-230 VAC. 47-60 Hz

Power Consumption

15W

Operating Temperature

0° / +70°

Passage Speed

~60 persons / minute.

Passage Width

50-150 cm

Weight

~47 kg (Single wing)

Security Level

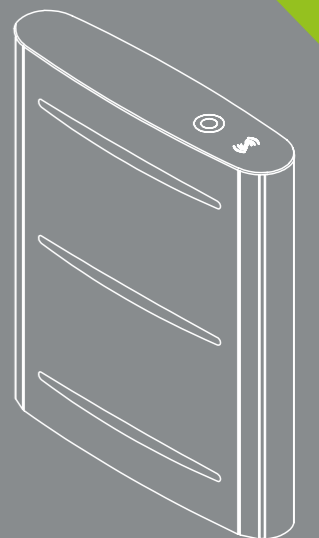
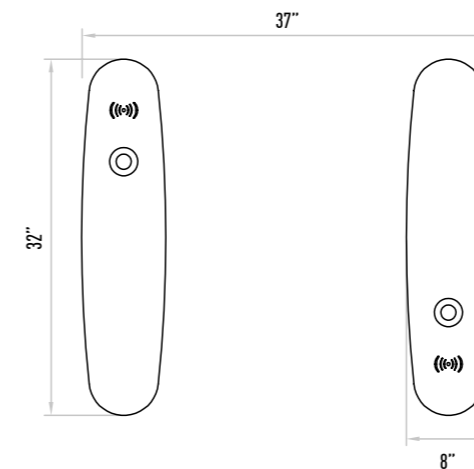
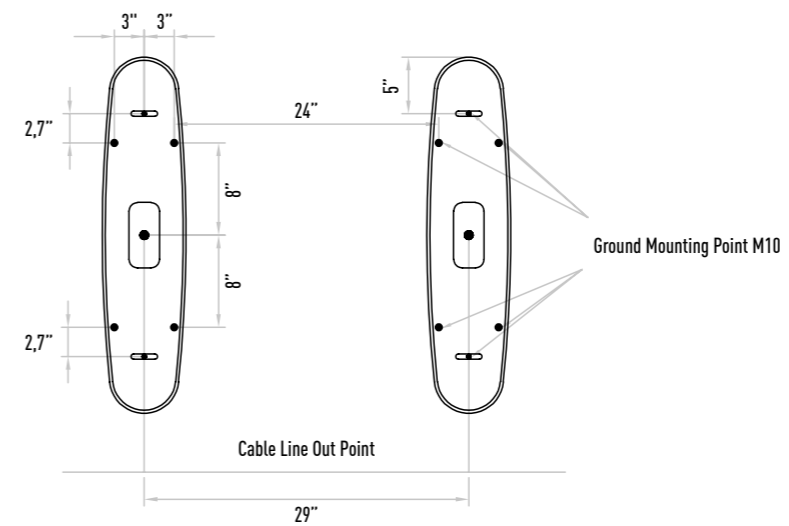
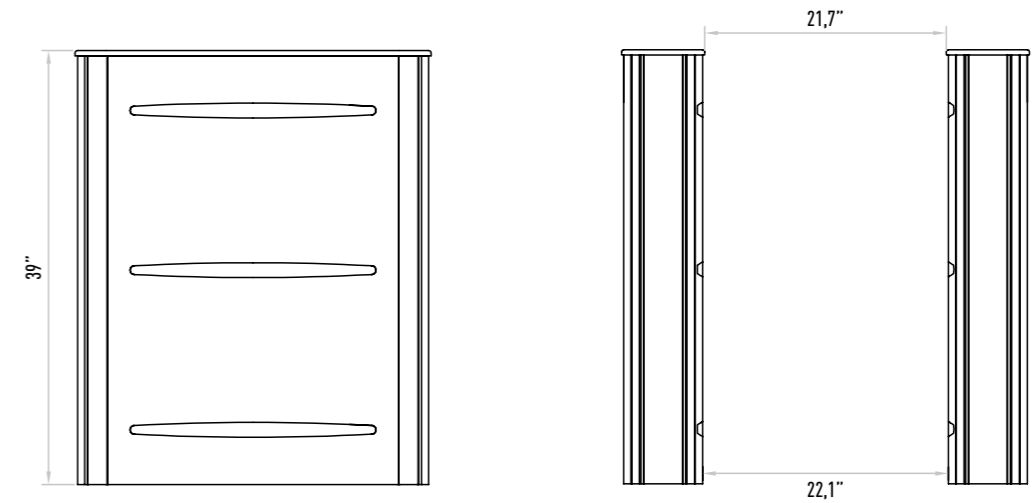
Deterrent.

Areas of Use

Suitable for indoor use.

Accessories

Remote control unit. Stainless steel reader apparatus. Meter. Button control unit. Stainless steel reader leg. Stainless steel bottom plate.





LTOP 501 SPEED GATE TURNSTILE

Operation

Controlled or control-free entrance / exit in both directions.

Chassis

AISI 304 quality stainless steel. Optional: Black stainless steel.

Wing

10 mm tempered glass that can open in either direction.

Optional: Smoke colored glass.

Upper Table

10 mm black tempered glass.

Functions

Operates bidirectionally and allows the passage of a single person only with its microprocessor control, electronic passage memory feature saves in memory card swipes that occur before a passage is completed and allows them to pass without closing the wings. Optional: 2 x RS232 and 1 x RS485 communication ports.

Mechanism

Wings are operated by means of a servomotor. Precision motor movement with 16 bit microcontroller and encoder support, and motor-locking in the event of unauthorized pass.

Sensors

14 reciprocal sensors in every turnstile.

Emergency Mode

Turnstile switches to emergency mode upon the receipt of a signal from fire detection system and wings open in predefined direction.

Safety Level Setting

With 4 security levels that can be defined as desired by the customer, turnstile is able to detect unauthorized passes and passes in the opposite direction and emits an audio or discreet warning.

Indicator

Led lighting around the top plate and transition leds.

Operating Voltage

100-230 VAC. 47-60 Hz

Power Consumption

20W during passage, 8W during standby (For two wings).

Operating Temperature

0° / +55°

Passage Speed

~60 persons / minute.

Wing Speed

0,6 sec (Opening - Closing).

Passage Width

55 cm

Weight

~105 kg (Single wing)

Security Level

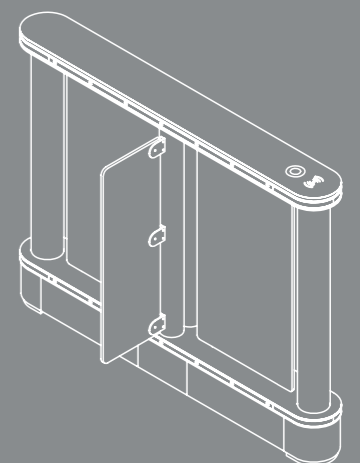
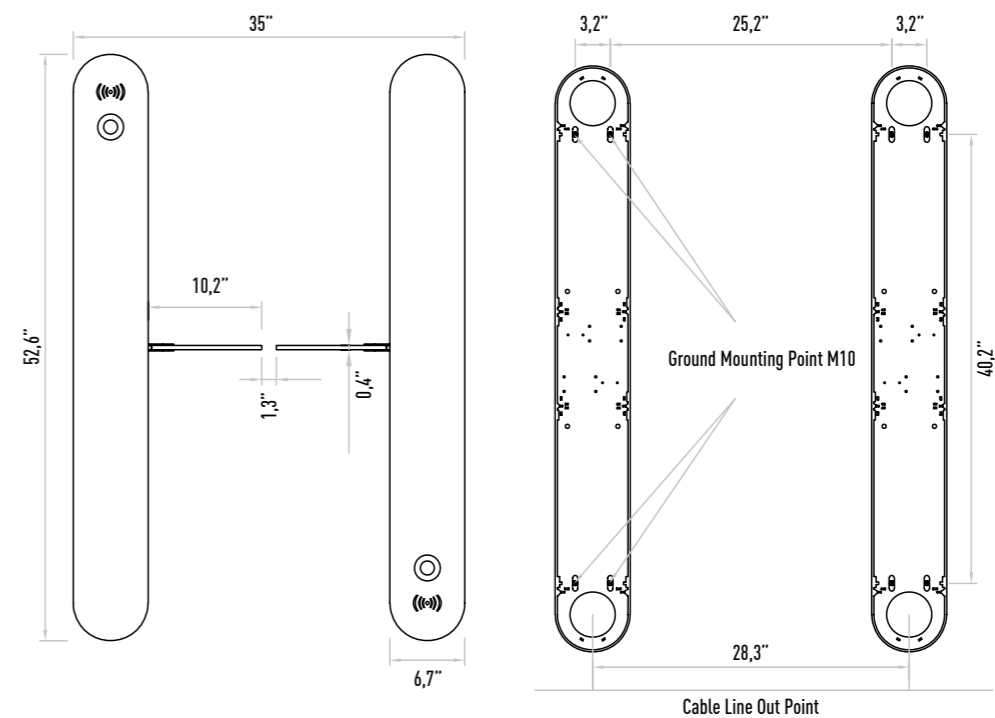
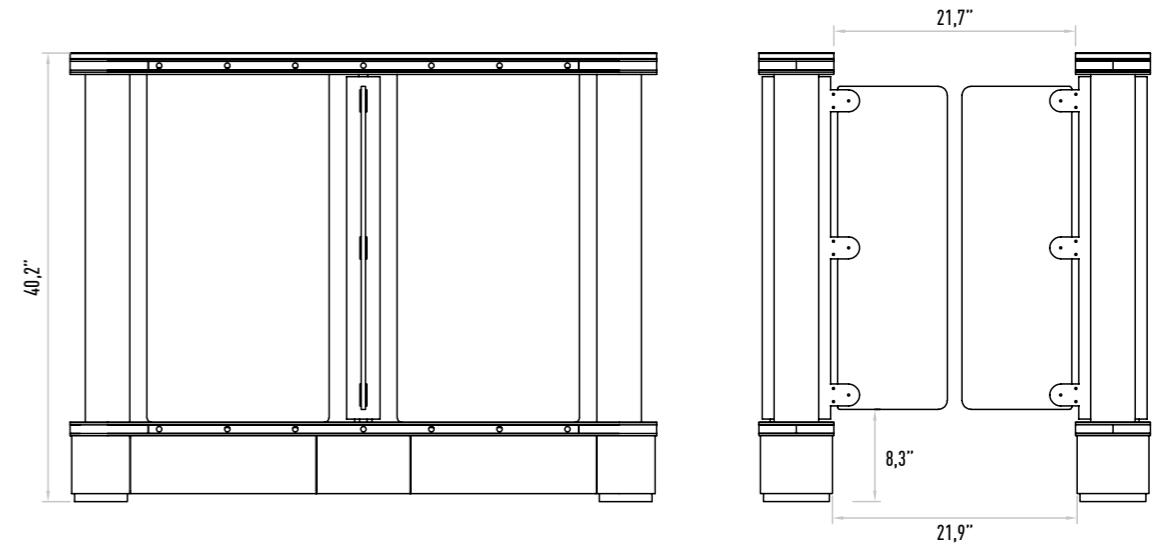
Deterrent.

Areas of Use

Suitable for indoor use.

Accessories

Logo engraving. Sticker. Remote control unit. Stainless steel reader apparatus. Meter. Button control unit. Stainless steel reader leg. Stainless steel bottom plate.





LTOP 501 H SPEED GATE TURNSTILE

Operation

Controlled or control-free entrance / exit in both directions.

Chassis

AISI 304 quality stainless steel. Optional: Black stainless steel.

Wing

10 mm tempered glass that can open in either direction.

Optional: Smoke colored glass.

Upper Table

10 mm black tempered glass.

Functions

Operates bidirectionally and allows the passage of a single person only with its microprocessor control, electronic passage memory feature saves in memory card swipes that occur before a passage is completed and allows them to pass without closing the wings. Optional: 2 x RS232 and 1 x RS485 communication ports.

Mechanism

Wings are operated by means of a servomotor. Precision motor movement with 16 bit microcontroller and encoder support, and motor-locking in the event of unauthorized pass.

Sensors

14 reciprocal sensors in every turnstile.

Emergency Mode

Turnstile switches to emergency mode upon the receipt of a signal from fire detection system and wings open in predefined direction.

Safety Level Setting

With 4 security levels that can be defined as desired by the customer, turnstile is able to detect unauthorized passes and passes in the opposite direction and emits an audio or discreet warning.

Indicator

Led lighting around the top plate and transition leds.

Operating Voltage

100-230 VAC. 47-60 Hz

Power Consumption

20W during passage, 8W during standby (For two wings).

Operating Temperature

0° / +55°

Passage Speed

~60 persons / minute.

Wing Speed

1 sec. (Opening - Closing).

Passage Width

90 cm

Weight

~112 kg (Single wing)

Security Level

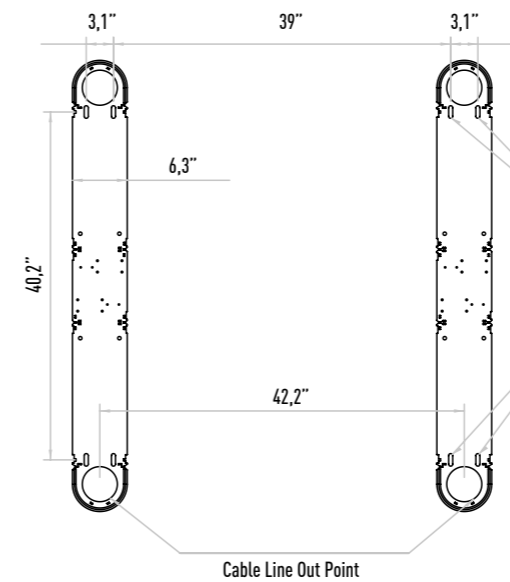
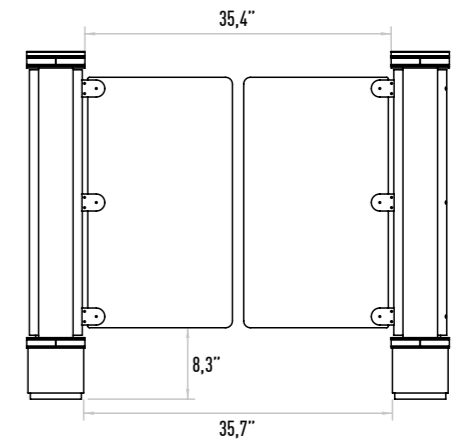
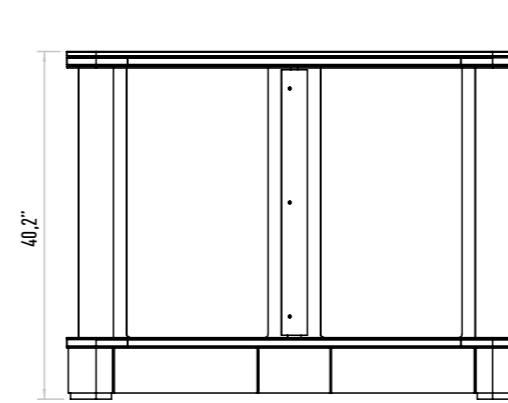
Deterrent.

Areas of Use

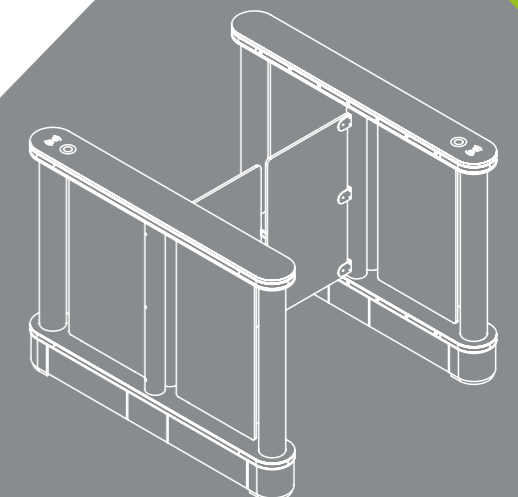
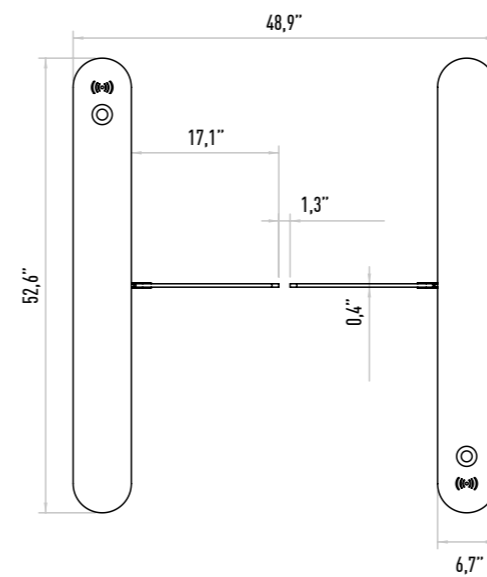
Suitable for indoor use.

Accessories

Logo engraving. Sticker. Remote control unit. Stainless steel reader apparatus. Meter. Button control unit. Stainless steel reader leg. Stainless steel bottom plate.



Ground Mounting Point M10





LTOP 551 SPEED GATE TURNSTILE

Operation

Controlled or control-free entrance / exit in both directions.

Chassis

AISI 304 quality stainless steel. Optional: Black stainless steel.

Wing

With high glass, linear winged 10 mm tempered glass that can open in either direction. Optional: Smoke colored glass.

Upper Table

10 mm black tempered glass.

Functions

Operates bidirectionally and allows the passage of a single person only with its microprocessor control, electronic passage memory feature saves in memory card swipes that occur before a passage is completed and allows them to pass without closing the wings. Optional: 2 x RS232 and 1 x RS485 communication ports.

Mechanism

Wings are operated by means of a servomotor. Precision motor movement with 16 bit microcontroller and encoder support, and motor-locking in the event of unauthorized pass.

Sensors

14 reciprocal sensors in every turnstile.

Emergency Mode

Turnstile switches to emergency mode upon the receipt of a signal from fire detection system and wings open in predefined direction.

Safety Level Setting

With 4 security levels that can be defined as desired by the customer, turnstile is able to detect unauthorized passes and passes in the opposite direction and emits an audio or discreet warning.

Indicator

Led lighting around the top plate and transition leds.

Operating Voltage

100-230 VAC. 47-60 Hz

Power Consumption

20W during passage, 8W during standby (For two wings).

Operating Temperature

0° / +55°

Passage Speed

~60 persons / minute.

Wing Speed

1 sec. (Opening - Closing).

Passage Width

55 cm

Weight

~120 kg (Single wing)

Security Level

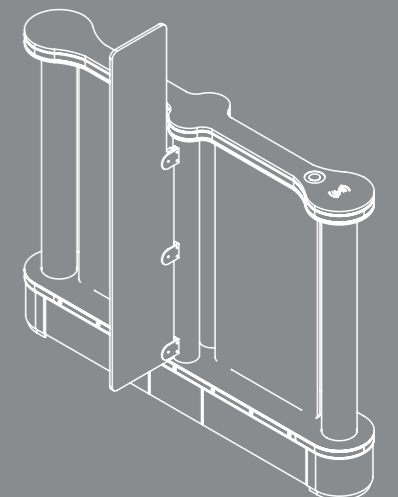
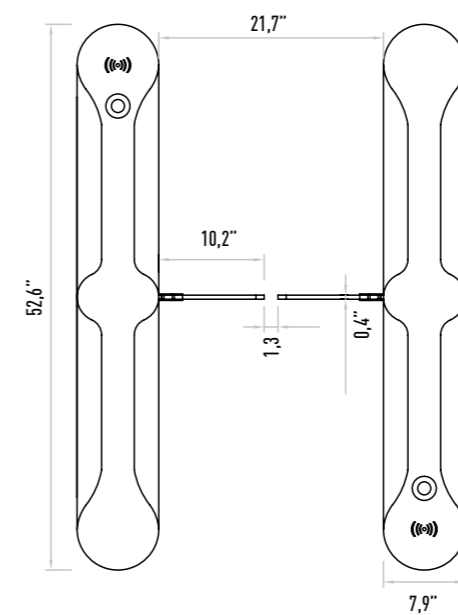
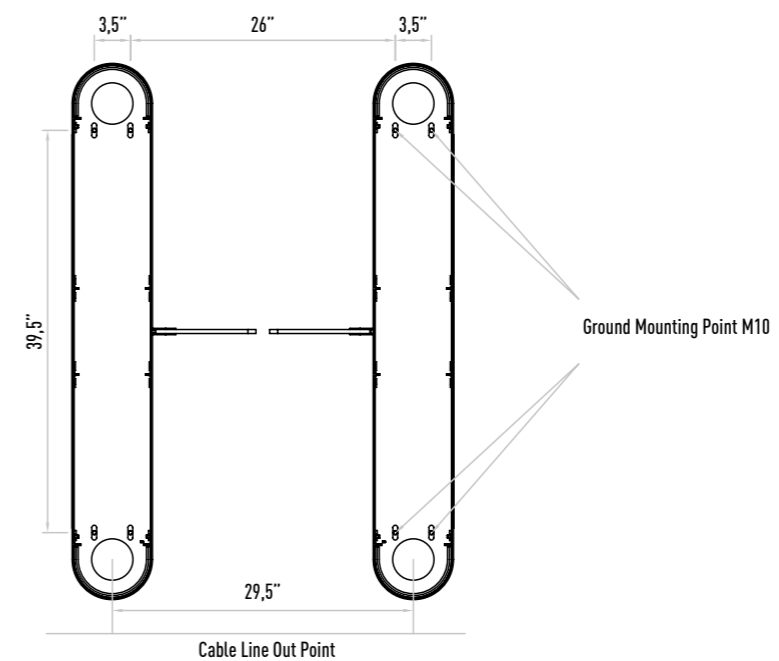
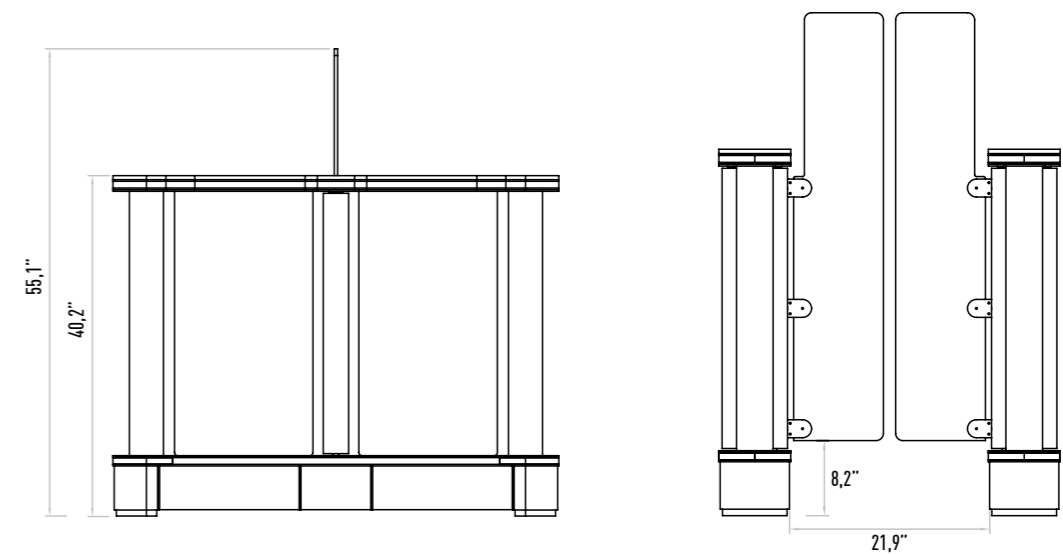
Deterrent.

Areas of Use

Suitable for indoor use.

Accessories

Logo engraving. Sticker. Remote control unit. Stainless steel reader apparatus. Meter. Button control unit. Stainless steel reader leg. Stainless steel bottom plate.





LTOP 551 H SPEED GATE TURNSTILE

Operation

Controlled or control-free entrance / exit in both directions.

Chassis

AISI 304 quality stainless steel. Optional: Black stainless steel.

Wing

With high glass, linear winged 10 mm tempered glass that can open in either direction. Optional: Smoke colored glass.

Upper Table

10 mm black tempered glass.

Functions

Operates bidirectionally and allows the passage of a single person only with its microprocessor control, electronic passage memory feature saves in memory card swipes that occur before a passage is completed and allows them to pass without closing the wings. Optional: 2 x RS232 and 1 x RS485 communication ports.

Mechanism

Wings are operated by means of a servomotor. Precision motor movement with 16 bit microcontroller and encoder support, and motor-locking in the event of unauthorized pass.

Sensors

14 reciprocal sensors in every turnstile.

Emergency Mode

Turnstile switches to emergency mode upon the receipt of a signal from fire detection system and wings open in predefined direction.

Safety Level Setting

With 4 security levels that can be defined as desired by the customer, turnstile is able to detect unauthorized passes and passes in the opposite direction and emits an audio or discreet warning.

Indicator

Led lighting around the top plate and transition leds.

Operating Voltage

100-230 VAC. 47-60 Hz

Power Consumption

20W during passage, 8W during standby (For two wings).

Operating Temperature

0° / +55°

Passage Speed

~60 persons / minute.

Wing Speed

1,5 sec. (Opening - Closing).

Passage Width

90 cm

Weight

~127 kg (Single wing)

Security Level

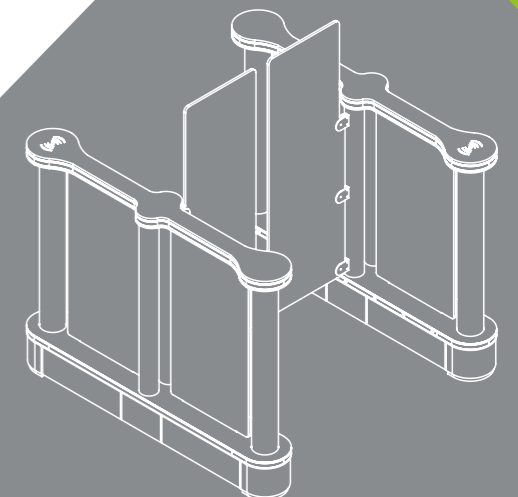
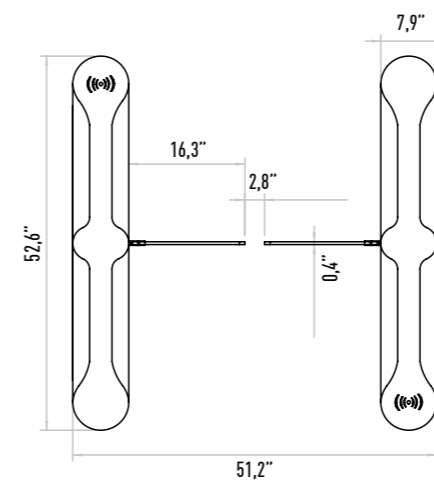
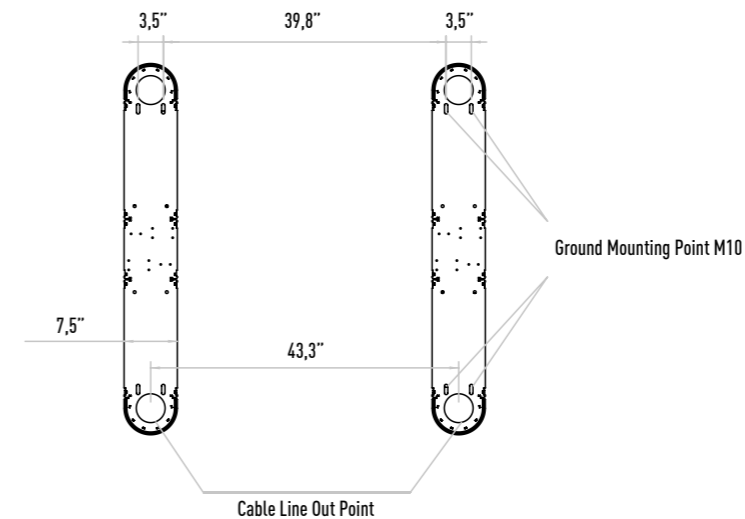
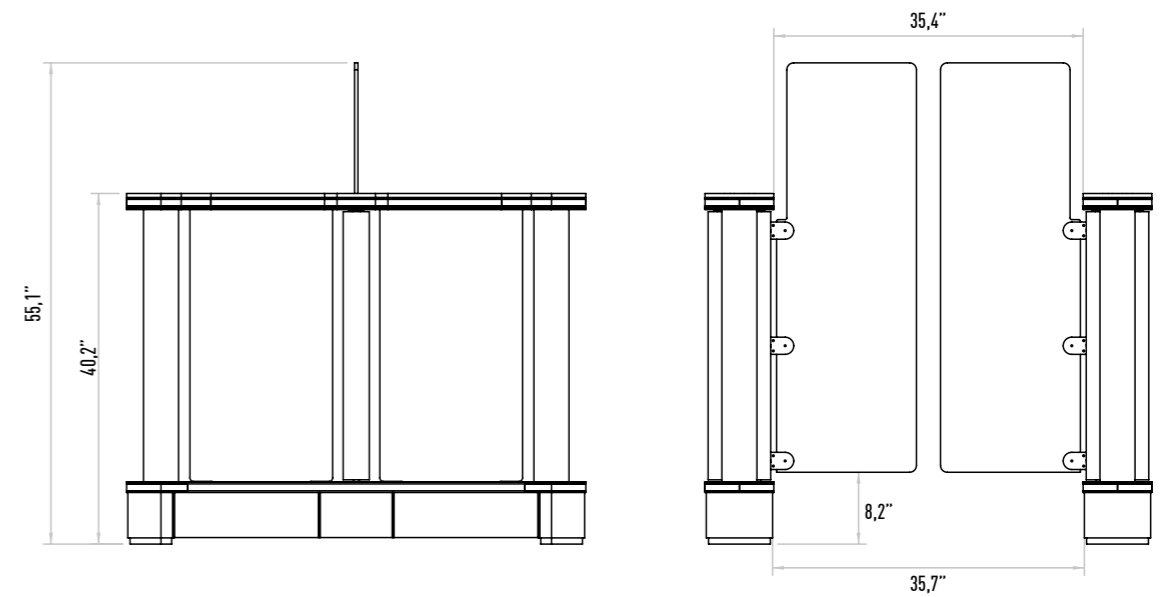
Deterrent.

Areas of Use

Suitable for indoor use.

Accessories

Logo engraving. Sticker. Remote control unit. Stainless steel reader apparatus. Meter. Button control unit. Stainless steel reader leg. Stainless steel bottom plate.





FULL HEIGHT TURNSTILES

Full Height Turnstiles are designed to be used for both indoor and outdoor applications. They are used where higher security is needed such as stadiums, borders, prisons and custody houses. All the models could be configured with 2, 3 or 4 winged with straight or U shaped bars.



LTF 104 FULL HEIGHT TURNSTILE

Operation

Adjustable manual passage to either direction. Optional: Motorized

Chassis

1.5 mm thick, AISI 304 quality stainless steel.
Optional: AISI 316 quality. With various color options electrostatic powder coated.

Rotor and Arms

4 winged 6 arms. AISI 304 quality stainless steel.
Optional: AISI 316 quality. With various color options electrostatic powder coated.

Functions

Passage information. Ability to set the passage time. Memory mode.
Adjustable audio warning.

Mechanism

Tempered steel and zinc coating.
Fail-Safe (Free passage during power failure). Optional: Fail lock.

Emergency Mode

The arms allow free passage when the signal received from fire detection system.

Operating Voltage

100-230 VAC, 47-60 Hz

Power Consumption

7W during passages, 12W during stand-by

Operating Temperature

-20° / +70° Optional: with heater -50°

Passage Speed

~20 persons / minute.

Passage Width

47 cm

Weight

~180 kg

Security Level

Deterrent.

Indicators

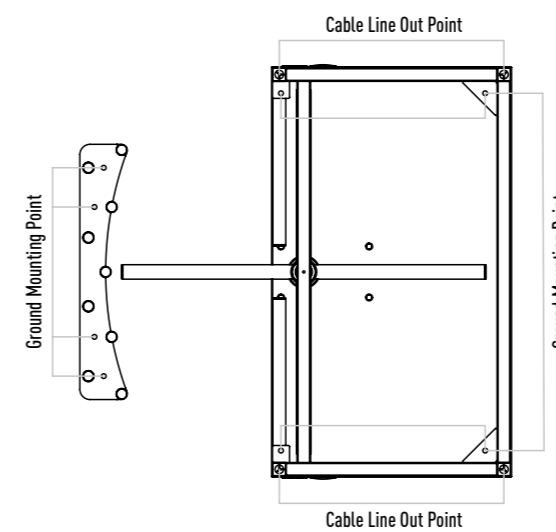
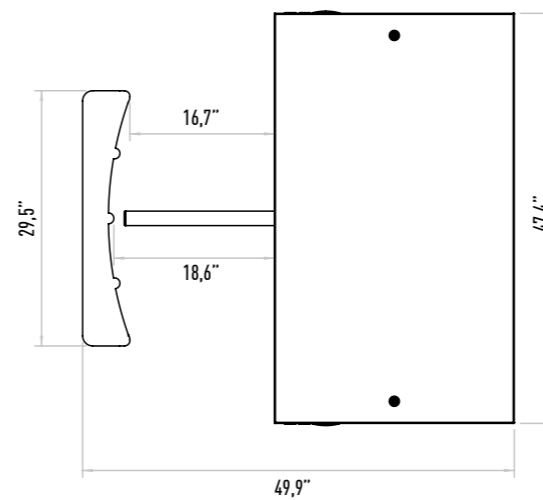
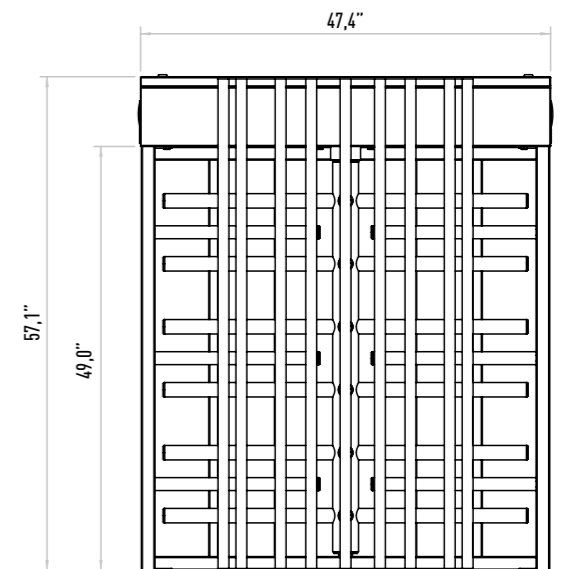
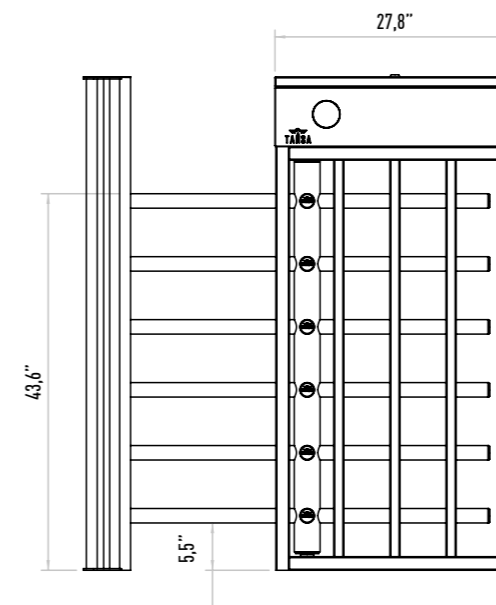
Standart in both directions.

Areas of Use

Suitable for indoor and outdoor use.

Accessories

Heater. Stainless steel reader bracket. Button control unit.
Remote control unit. Coin console. Stainless steel bottom plate.
RS232 / RS485 / LAN communication unit. Adaptor.





LTF 104 D FULL HEIGHT TURNSTILE

Operation

Adjustable manual passage to either direction. Optional: Motorized

Chassis

1.5 mm thick, AISI 304 quality stainless steel.
Optional: AISI 316 quality. With various color options electrostatic powder coated.

Rotor and Arms

4 winged 6 arms. AISI 304 quality stainless steel.
Optional: AISI 316 quality. With various color options electrostatic powder coated.

Functions

Passage information. Ability to set the passage time. Memory mode.
Adjustable audio warning.

Mechanism

Tempered steel and zinc coating.
Fail-Safe (Free passage during power failure). Optional: Fail lock.

Emergency Mode

The arms allow free passage when the signal received from fire detection system.

Operating Voltage

100-230 VAC, 47-60 Hz

Power Consumption

14W during passages, 24W during stand-by

Operating Temperature

-20° / +70° Optional: with heater -50°

Passage Speed

~40 persons / minute.

Passage Width

47 cm

Weight

~300 kg

Security Level

Deterrent.

Indicators

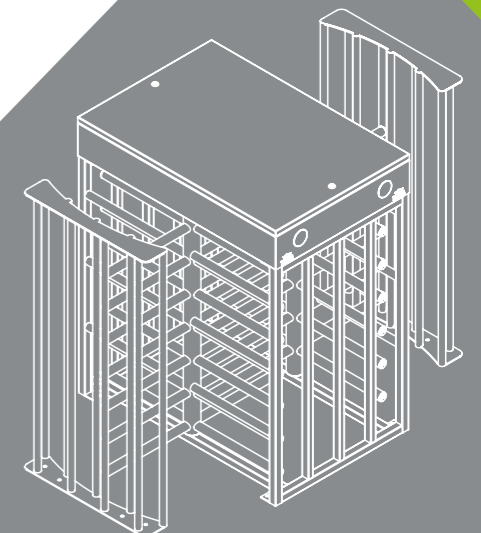
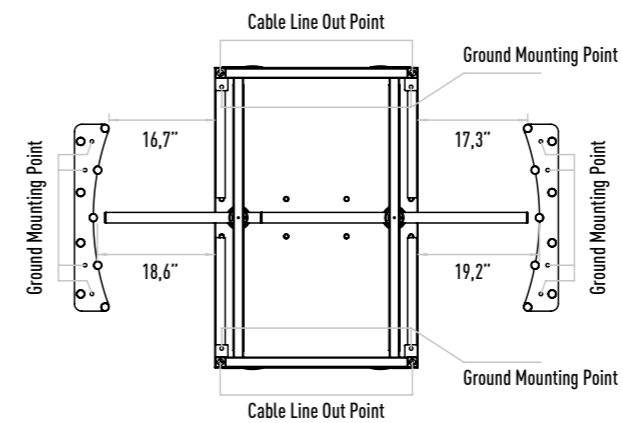
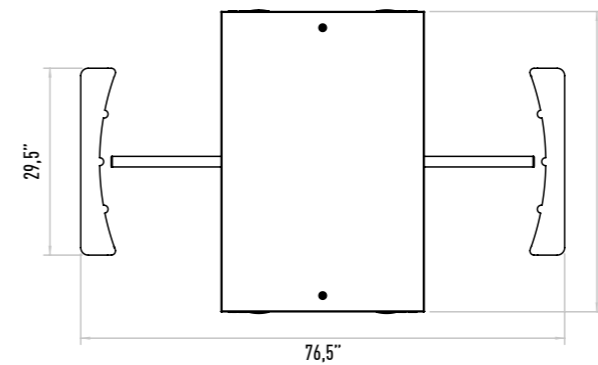
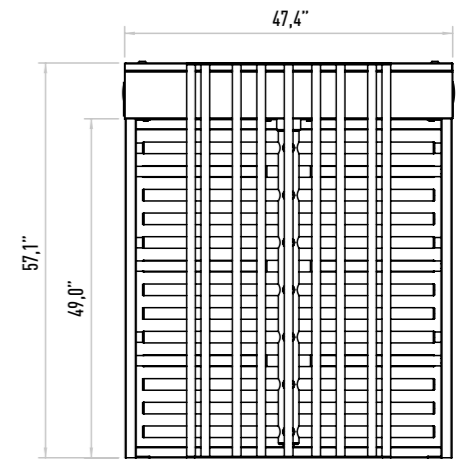
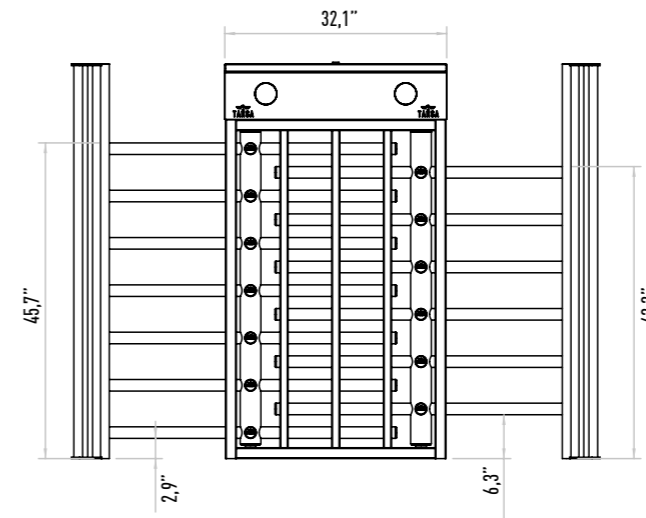
Standart in both directions.

Areas of Use

Suitable for indoor and outdoor use.

Accessories

Heater. Stainless steel reader bracket. Button control unit.
Remote control unit. Coin console. Stainless steel bottom plate.
RS232 / RS485 / LAN communication unit. Adaptor.





LTF 113 FULL HEIGHT TURNSTILE

Operation

Adjustable manual passage to either direction. Optional: Motorized

Chassis

1.5 mm thick, AISI 304 quality stainless steel.
Optional: AISI 316 quality. With various color options electrostatic powder coated.

Rotor and Arms

3 wings, 10 arms. AISI 304 quality stainless steel.
Optional: AISI 316 quality. With various color options electrostatic powder coated.

Functions

Passage information. Ability to set the passage time. Memory mode. Adjustable audio warning. Remote controlled passage direction and enable feature.

Mechanism

Tempered steel and zinc coating.
Fail-Safe (Free passage during power failure). Optional: Fail lock.

Emergency Mode

The arms allow free passage when the signal received from fire detection system.

Operating Voltage

100-230 VAC, 47-60 Hz

Power Consumption

7W during passages, 12W during stand-by

Operating Temperature

-20° / +70° Optional: with heater -50°

Passage Speed

~20 persons / minute.

Passage Width

56 cm

Weight

~215 kg

Security Level

High Security.

Indicators

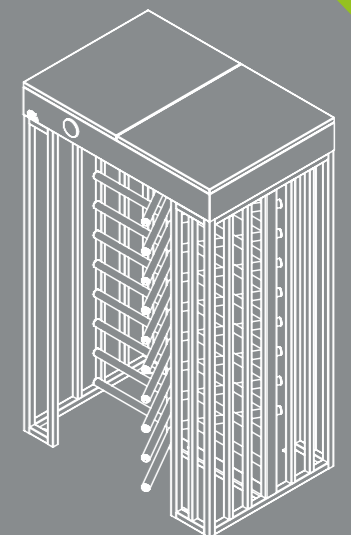
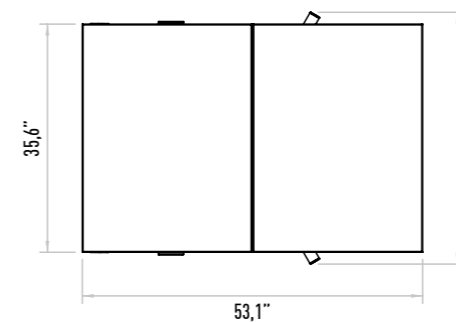
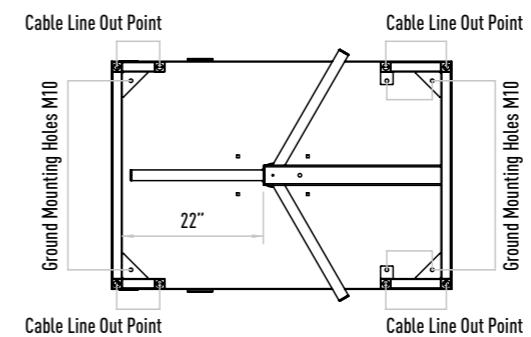
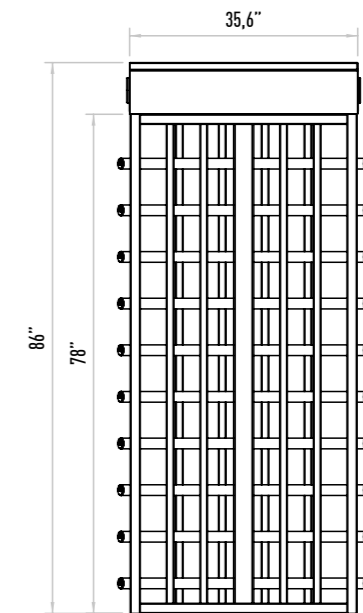
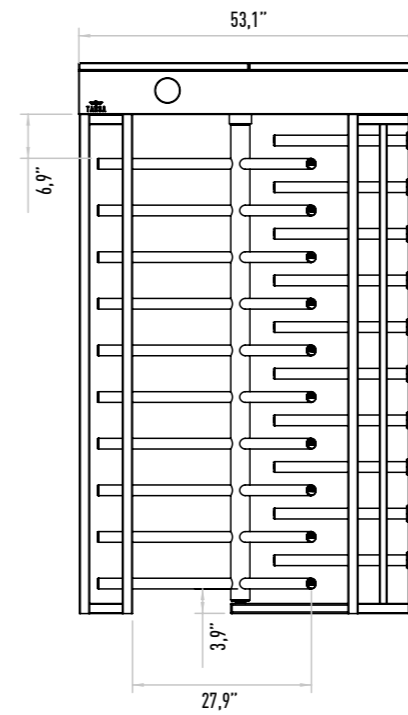
Standart in both directions.

Areas of Use

Suitable for indoor and outdoor use.

Accessories

Heater. Internal lightening. Stainless steel reader bracket. Button control unit.
Remote control unit. Coin console. Stainless steel bottom plate.
RS232 / RS485 / LAN communication unit. Adaptor.





LTF 113D FULL HEIGHT TURNSTILE

Operation

Adjustable manual passage to either direction. Optional: Motorized

Chassis

1.5 mm thick, AISI 304 quality stainless steel.
Optional: AISI 316 quality. With various color options electrostatic powder coated.

Rotor and Arms

3 wings, 10 arms. AISI 304 quality stainless steel.
Optional: AISI 316 quality. With various color options electrostatic powder coated.

Functions

Passage information. Ability to set the passage time. Memory mode. Adjustable audio warning. Remote controlled passage direction and enable feature.

Mechanism

Tempered steel and zinc coating.
Fail-Safe (Free passage during power failure). Optional: Fail lock.

Emergency Mode

The arms allow free passage when the signal received from fire detection system.

Operating Voltage

100-230 VAC, 47-60 Hz

Power Consumption

14W during passages, 24W during stand-by

Operating Temperature

-20° / +70° Optional: with heater -50°

Passage Speed

~40 persons / minute.

Passage Width

56 cm

Weight

~330 kg

Security Level

High Security.

Indicators

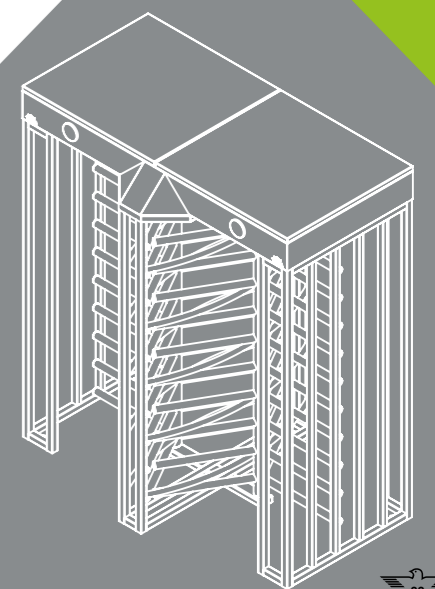
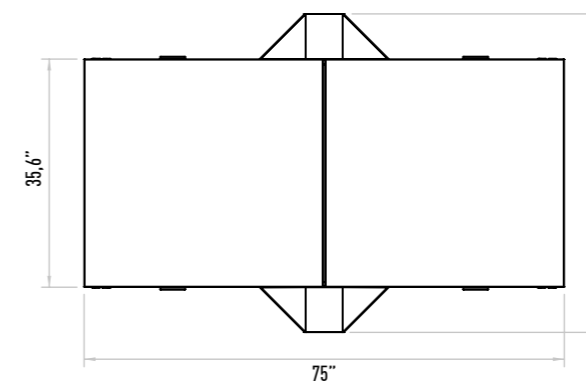
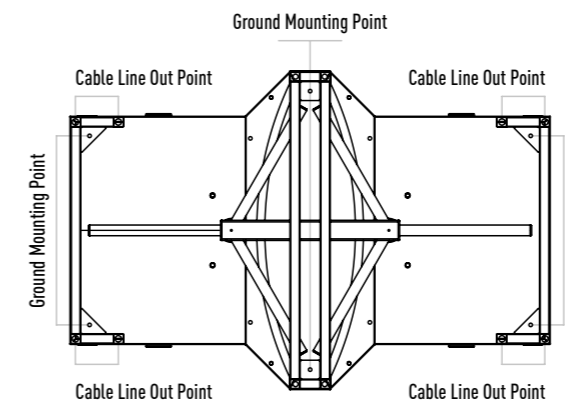
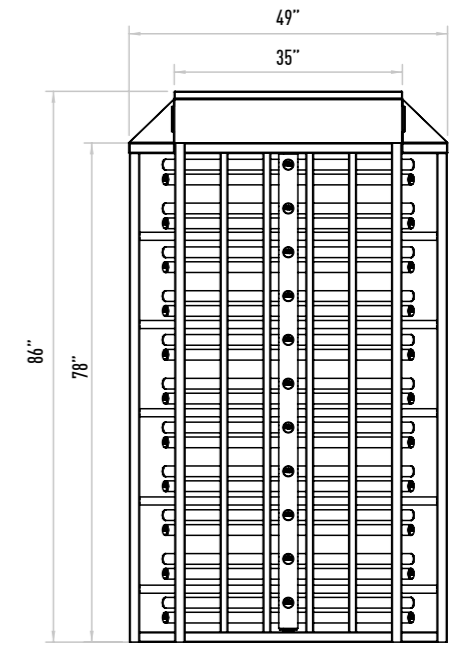
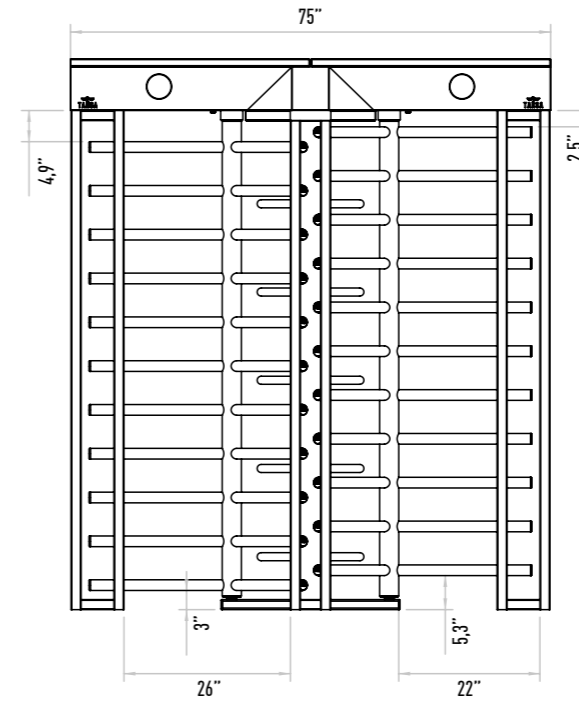
Standart in both directions.

Areas of Use

Suitable for indoor and outdoor use.

Accessories

Heater. Internal lightening. Stainless steel reader bracket. Button control unit.
Remote control unit. Coin console. Stainless steel bottom plate.
RS232 / RS485 / LAN communication unit. Adaptor.





LTF 114 FULL HEIGHT TURNSTILE

Operation

Adjustable manual passage to either direction. Optional: Motorized

Chassis

1.5 mm thick, AISI 304 quality stainless steel.
Optional: AISI 316 quality. With various color options electrostatic powder coated.

Rotor and Arms

4 wings, 10 arms. AISI 304 quality stainless steel.
Optional: AISI 316 quality. With various color options electrostatic powder coated.

Functions

Passage information. Ability to set the passage time. Memory mode. Adjustable audio warning. Remote controlled passage direction and enable feature.

Mechanism

Tempered steel and zinc coating.
Fail-Safe (Free passage during power failure). Optional: Fail lock.

Emergency Mode

The arms allow free passage when the signal received from fire detection system.

Operating Voltage

100-230 VAC, 47-60 Hz

Power Consumption

7W during passages, 12W during stand-by

Operating Temperature

-20° / +70° Optional: with heater -50°

Passage Speed

~20 persons / minute.

Passage Width

56 cm

Weight

~220 kg

Security Level

High Security.

Indicators

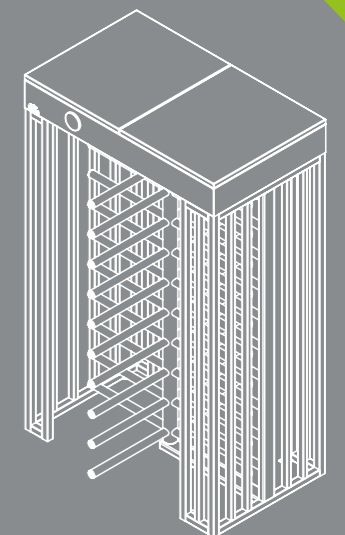
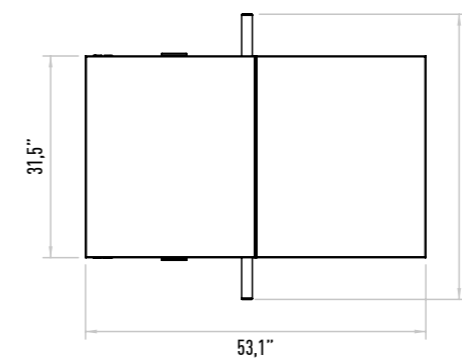
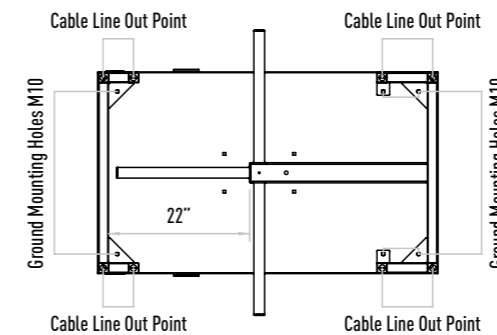
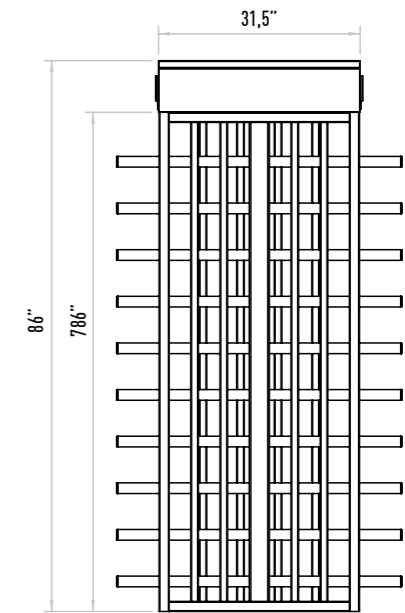
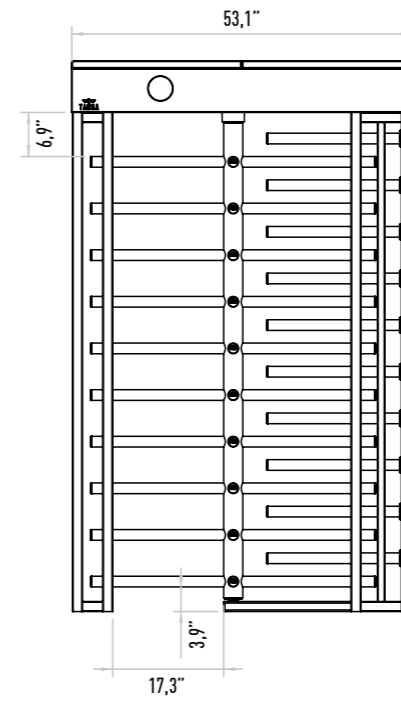
Standart in both directions.

Areas of Use

Suitable for indoor and outdoor use.

Accessories

Heater. Internal lightning. Stainless steel reader bracket. Button control unit.
Remote control unit. Coin console. Stainless steel bottom plate.
RS232 / RS485 / LAN communication unit. Adaptor.





LTF 114 D FULL HEIGHT TURNSTILE

Operation

Adjustable manual passage to either direction. Optional: Motorized

Chassis

1.5 mm thick, AISI 304 quality stainless steel. Optional: AISI 316 quality. With various color options, electrostatic powder coated. Hot galvanized.

Rotor and Arms

Rotor with 4 arms. AISI 304 quality stainless steel. Optional: AISI 316 quality. With various color options electrostatic powder coated. Hot galvanized.

Functions

Passage information. Ability to set the passage time. Memory mode. Adjustable audio warning. Remote controlled passage direction and enable feature.

Mechanism

Tempered steel and zinc coating.

Fail-Safe (Free passage during power failure). Optional: Fail lock.

Emergency Mode

The arms allow free passage when the signal received from fire detection system.

Operating Voltage

100-230 VAC, 47-60 Hz

Power Consumption

14W during passages, 24W during stand-by

Operating Temperature

-20° / +70° Optional: with heater -50°

Passage Speed

~40 persons / minute

Passage Width

57 cm

Weight

~345 kg

Security Level

High Security.

Indicators

Standart in both directions.

Areas of Use

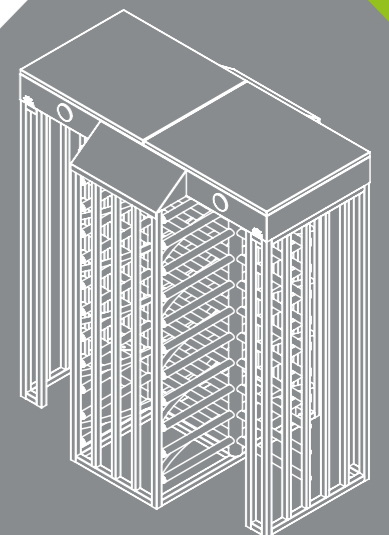
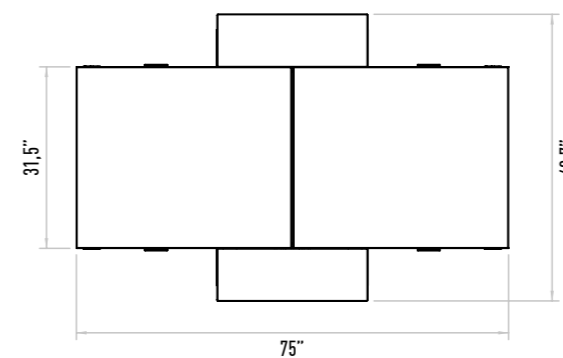
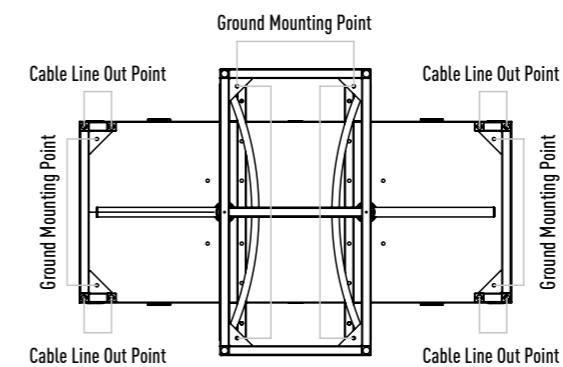
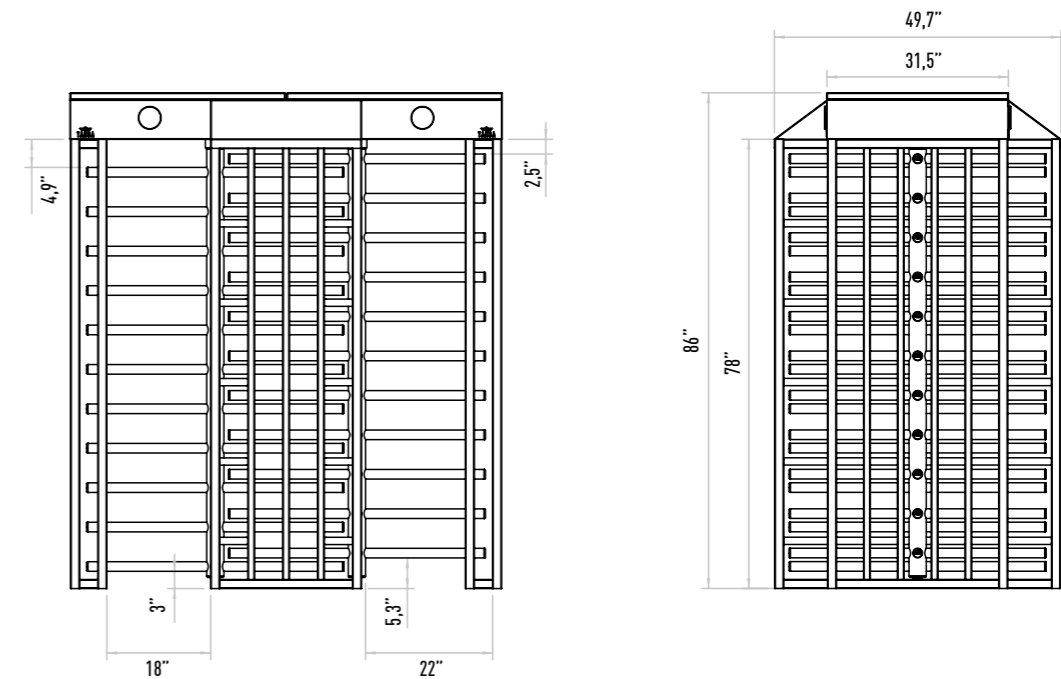
Suitable for indoor and outdoor use.

Accessories

Heater. Internal lightening. Stainless steel reader bracket. Button control unit.

Remote control unit. Coin console. Stainless steel bottom plate.

RS232 / RS485 / LAN communication unit. Adaptor.





LTF 114 ST FULL HEIGHT TURNSTILE

Operation

Adjustable manual passage to either direction. Optional: Motorized

Chassis

1.5 mm thick, AISI 304 quality stainless steel.
Optional: AISI 316 quality. With various color options electrostatic powder coated.

Rotor and Arms

4 wings, 10 arms. AISI 304 quality stainless steel.
Optional: AISI 316 quality. With various color options electrostatic powder coated.

Functions

Passage information. Ability to set the passage time. Memory mode. Adjustable audio warning. Remote controlled passage direction and enable feature.

Mechanism

Tempered steel and zinc coating.
Fail-Safe (Free passage during power failure). Optional: Fail lock.

Emergency Mode

The arms allow free passage when the signal received from fire detection system.

Operating Voltage

100-230 VAC, 47-60 Hz

Power Consumption

7W during passages, 12W during stand-by

Operating Temperature

-20° / +70° Optional: with heater -50°

Passage Speed

~20 persons / minute.

Passage Width

56 cm

Weight

~220 kg

Security Level

High Security.

Indicators

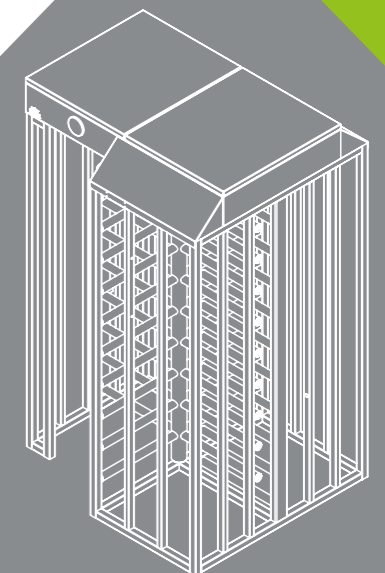
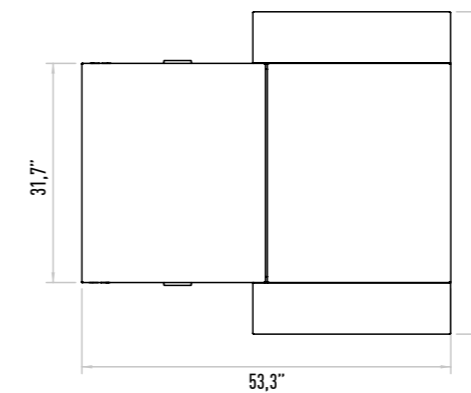
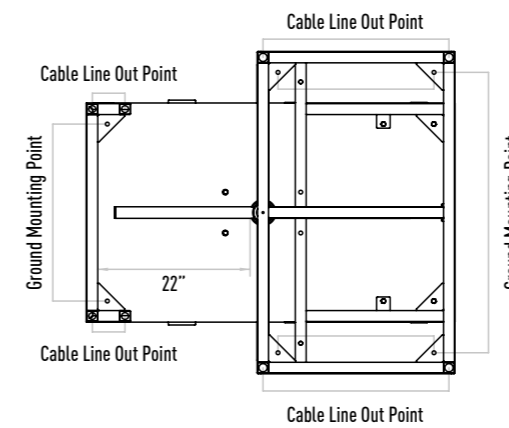
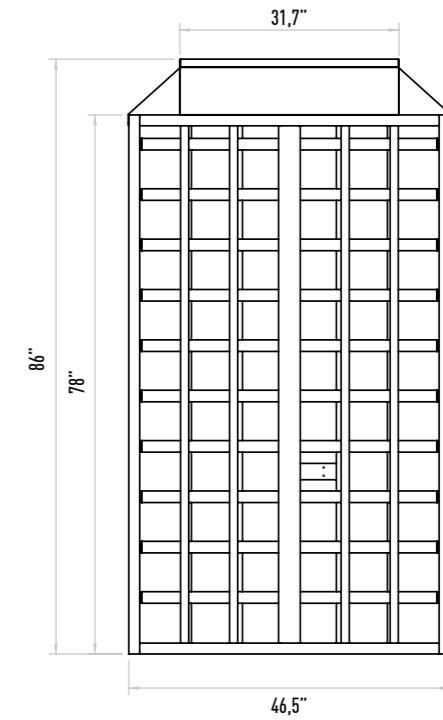
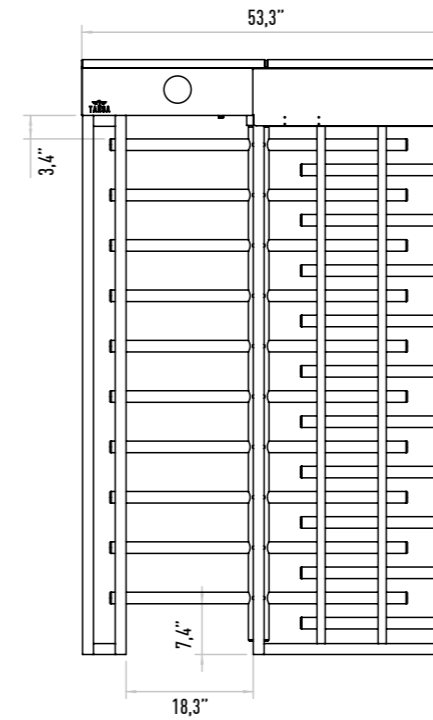
Standart in both directions.

Areas of Use

Suitable for indoor and outdoor use.

Accessories

Heater. Internal lightning. Stainless steel reader bracket. Button control unit.
Remote control unit. Coin console. Stainless steel bottom plate.
RS232 / RS485 / LAN communication unit. Adaptor.





LTF 114 STD FULL HEIGHT TURNSTILE

Operation

Adjustable manual passage to either direction. Optional: Motorized

Chassis

1.5 mm thick, AISI 304 quality stainless steel.
Optional: AISI 316 quality. With various color options electrostatic powder coated.

Rotor and Arms

4 wings, 10 arms. AISI 304 quality stainless steel.
Optional: AISI 316 quality. With various color options electrostatic powder coated.

Functions

Passage information. Ability to set the passage time. Memory mode. Adjustable audio warning. Remote controlled passage direction and enable feature.

Mechanism

Tempered steel and zinc coating.
Fail-Safe (Free passage during power failure). Optional: Fail lock.

Emergency Mode

The arms allow free passage when the signal received from fire detection system.

Operating Voltage

100-230 VAC, 47-60 Hz

Power Consumption

14W during passages, 24W during stand-by

Operating Temperature

-20° / +70° Optional: with heater -50°

Passage Speed

~40 persons / minute.

Passage Width

56 cm

Weight

~345 kg

Security Level

High Security.

Indicators

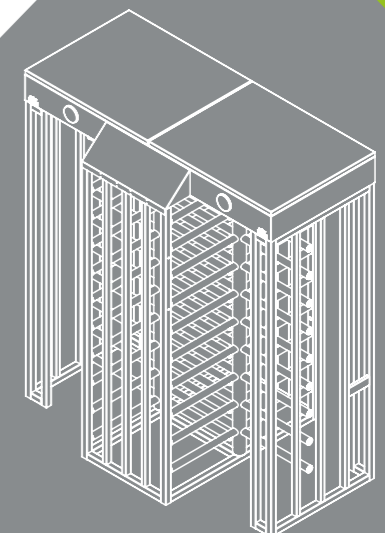
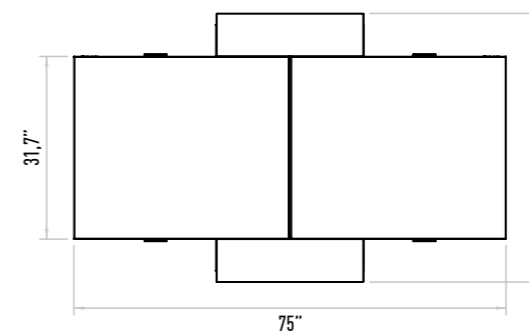
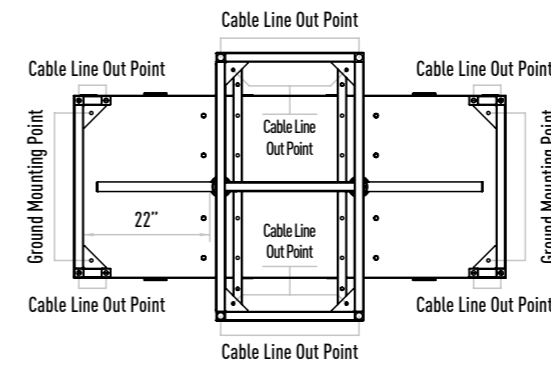
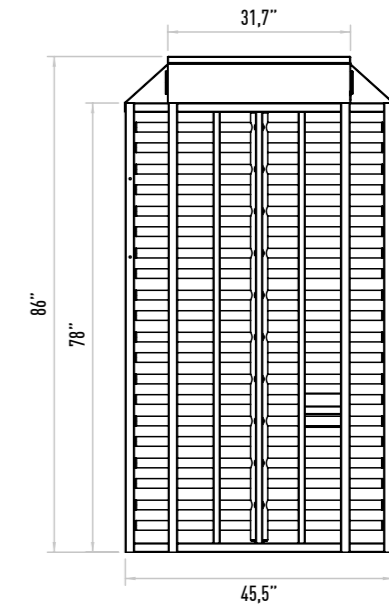
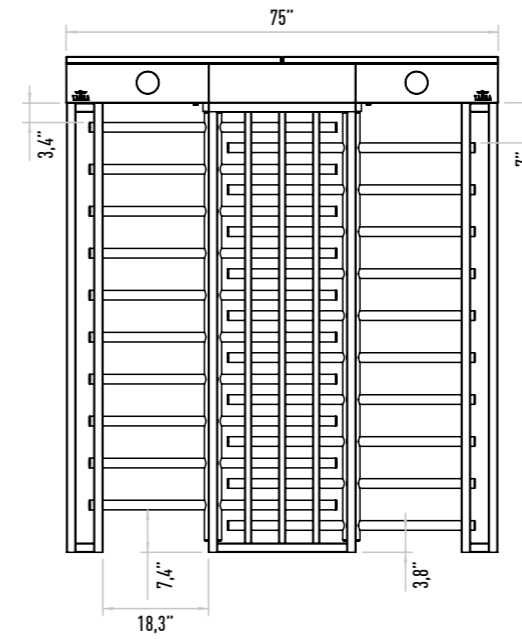
Standart in both directions.

Areas of Use

Suitable for indoor and outdoor use.

Accessories

Heater. Internal lightning. Stainless steel reader bracket. Button control unit.
Remote control unit. Coin console. Stainless steel bottom plate.
RS232 / RS485 / LAN communication unit. Adaptor..





LTF 213 FULL HEIGHT TURNSTILE

Operation

Adjustable manual passage to either direction. Optional: Motorized

Chassis

1.5 mm thick, AISI 304 quality stainless steel.
Optional: AISI 316 quality. With various color options electrostatic powder coated.

Rotor and Arms

3 wings, 10 arms. AISI 304 quality stainless steel.
Optional: AISI 316 quality. With various color options electrostatic powder coated.

Functions

Passage information. Ability to set the passage time. Memory mode. Adjustable audio warning. Remote controlled passage direction and enable feature.

Mechanism

Tempered steel and zinc coating.
Fail-Safe (Free passage during power failure). Optional: Fail lock.

Emergency Mode

The arms allow free passage when the signal received from fire detection system.

Operating Voltage

100-230 VAC, 47-60 Hz

Power Consumption

7W during passages, 12W during stand-by

Operating Temperature

-20° / +70° Optional: with heater -50°

Passage Speed

~20 persons / minute.

Passage Width

57 cm

Weight

~275 kg

Security Level

High Security.

Indicators

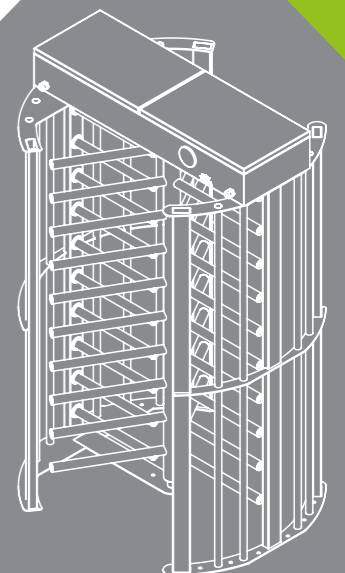
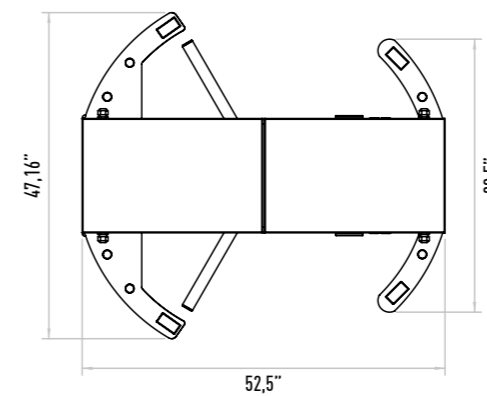
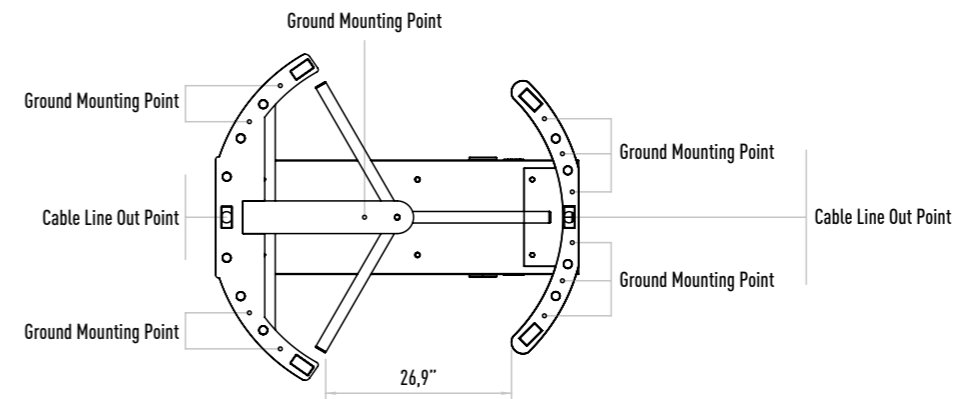
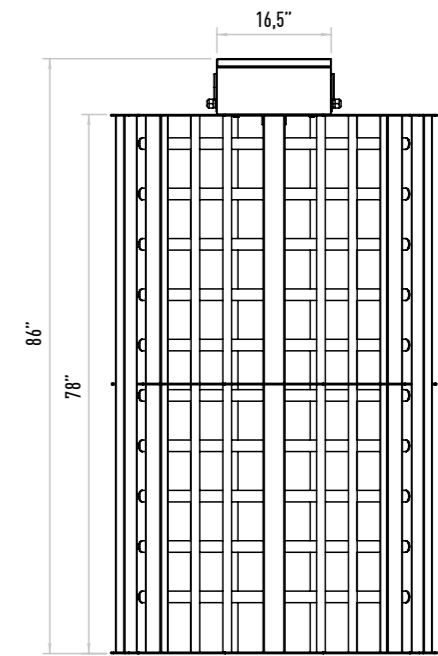
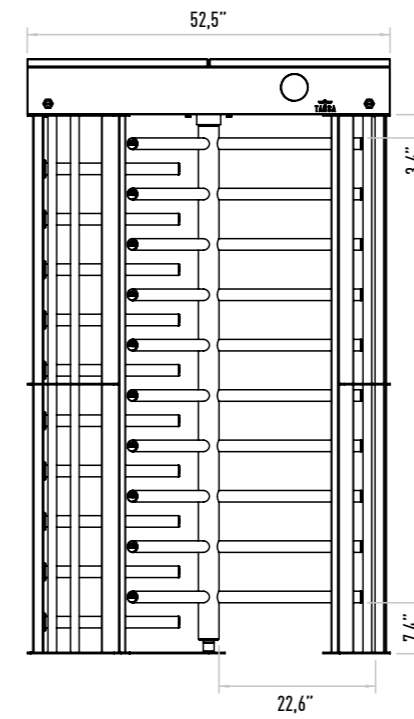
Standart in both directions.

Areas of Use

Suitable for indoor and outdoor use.

Accessories

Heater. Internal lightning. Stainless steel reader bracket. Button control unit.
Remote control unit. Coin console. Stainless steel bottom plate.
RS232 / RS485 / LAN communication unit. Adaptor.



LTF 213 D FULL HEIGHT TURNSTILE



Operation

Adjustable manual passage to either direction. Optional: Motorized

Chassis

1.5 mm thick, AISI 304 quality stainless steel.
Optional: AISI 316 quality. With various color options electrostatic powder coated.

Rotor and Arms

3 wings, 10 arms. AISI 304 quality stainless steel.
Optional: AISI 316 quality. With various color options electrostatic powder coated.

Functions

Passage information. Ability to set the passage time. Memory mode. Adjustable audio warning. Remote controlled passage direction and enable feature.

Mechanism

Tempered steel and zinc coating.
Fail-Safe (Free passage during power failure). Optional: Fail lock.

Emergency Mode

The arms allow free passage when the signal received from fire detection system.

Operating Voltage

100-230 VAC, 47-60 Hz

Power Consumption

14W during passages, 24W during stand-by

Operating Temperature

-20° / +70° Optional: with heater -50°

Passage Speed

~40 persons / minute.

Passage Width

57 cm

Weight

~430 kg

Security Level

High Security.

Indicators

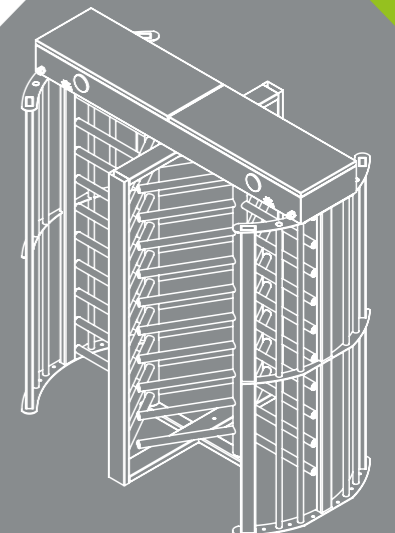
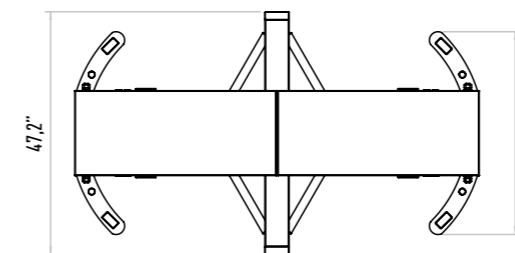
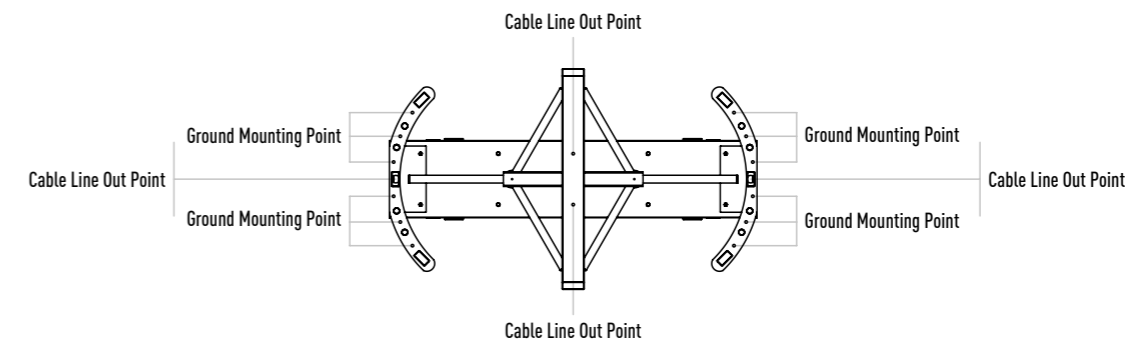
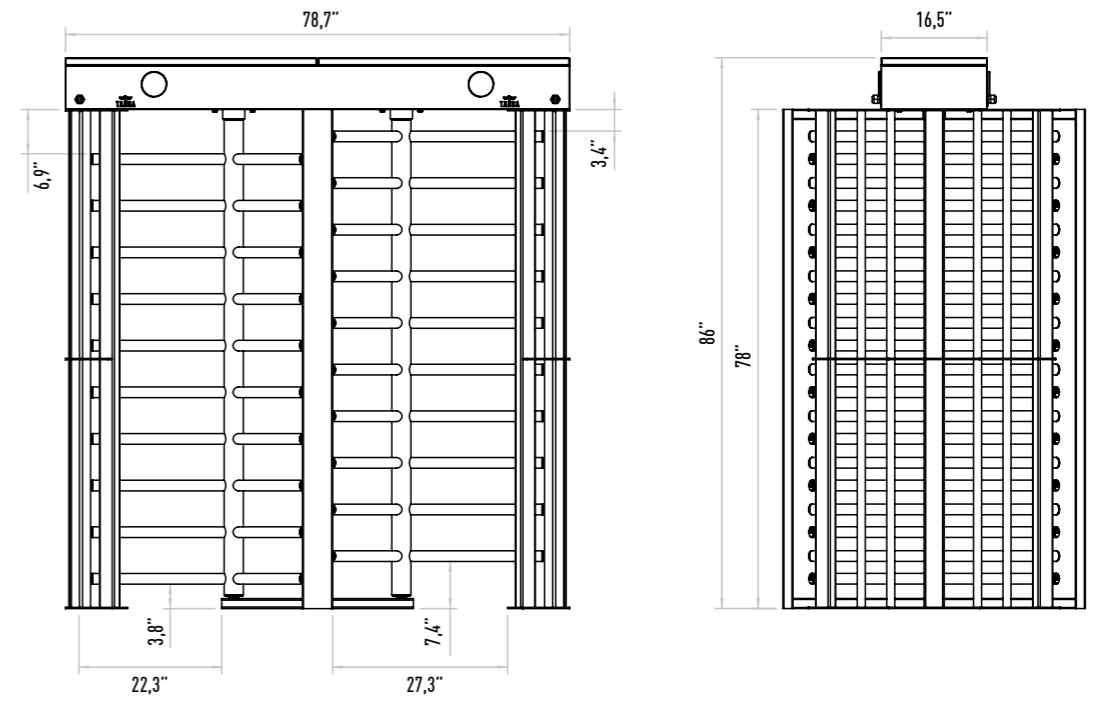
Standart in both directions.

Areas of Use

Suitable for indoor and outdoor use.

Accessories

Heater. Internal lightning. Stainless steel reader bracket. Button control unit.
Remote control unit. Coin console. Stainless steel bottom plate.
RS232 / RS485 / LAN communication unit. Adaptor.





LTF 214 FULL HEIGHT TURNSTILE

Operation

Adjustable manual passage to either direction. Optional: Motorized

Chassis

1.5 mm thick, AISI 304 quality stainless steel.
Optional: AISI 316 quality. With various color options electrostatic powder coated.

Rotor and Arms

4 wings, 10 arms. AISI 304 quality stainless steel.
Optional: AISI 316 quality. With various color options electrostatic powder coated.

Functions

Passage information. Ability to set the passage time. Memory mode. Adjustable audio warning. Remote controlled passage direction and enable feature.

Mechanism

Tempered steel and zinc coating.
Fail-Safe (Free passage during power failure). Optional: Fail lock.

Emergency Mode

The arms allow free passage when the signal received from fire detection system.

Operating Voltage

100-230 VAC, 47-60 Hz

Power Consumption

7W during passages, 12W during stand-by

Operating Temperature

-20° / +70° Optional: with heater -50°

Passage Speed

~20 persons / minute.

Passage Width

57 cm

Weight

~280 kg

Security Level

High Security.

Indicators

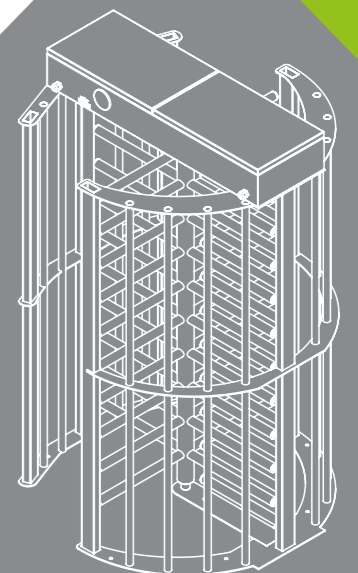
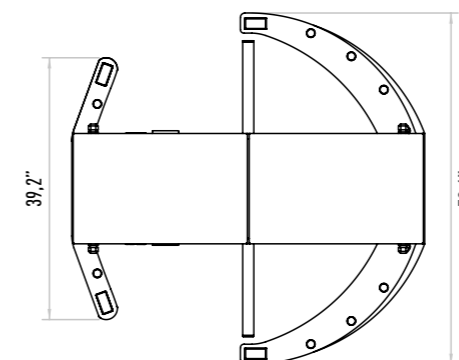
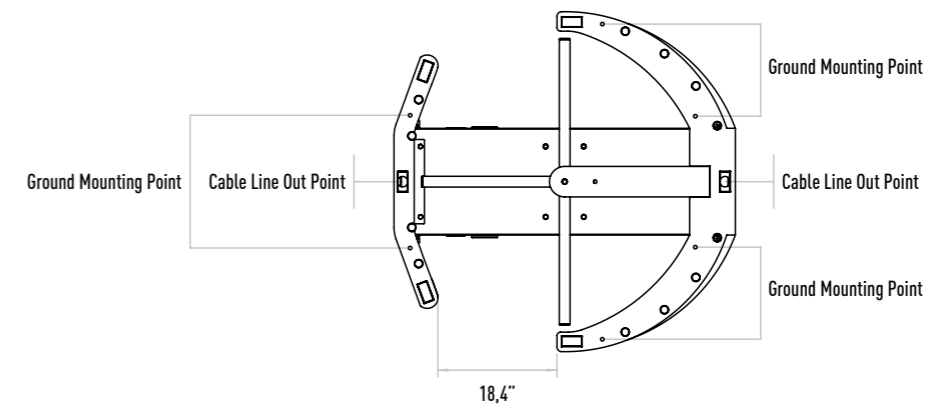
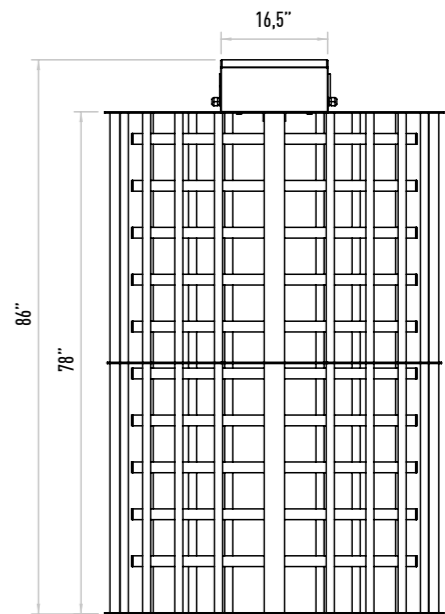
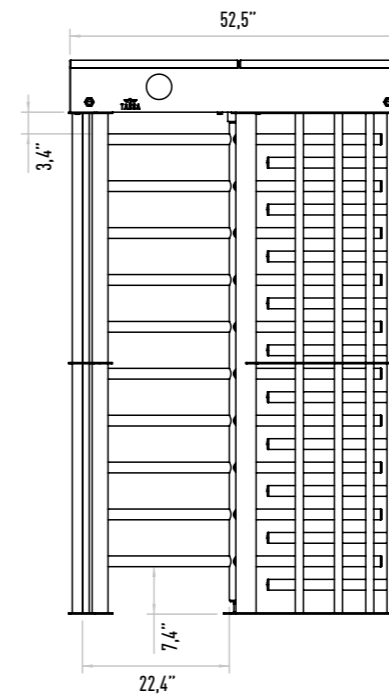
Standart in both directions.

Areas of Use

Suitable for indoor and outdoor use.

Accessories

Heater. Internal lightning. Stainless steel reader bracket. Button control unit.
Remote control unit. Coin console. Stainless steel bottom plate.
RS232 / RS485 / LAN communication unit. Adaptor.





LTF 214 D FULL HEIGHT TURNSTILE

Operation

Adjustable manual passage to either direction. Optional: Motorized

Chassis

1.5 mm thick, AISI 304 quality stainless steel.
Optional: AISI 316 quality. With various color options electrostatic powder coated.

Rotor and Arms

4 wings, 10 arms. AISI 304 quality stainless steel.
Optional: AISI 316 quality. With various color options electrostatic powder coated.

Functions

Passage information. Ability to set the passage time. Memory mode. Adjustable audio warning. Remote controlled passage direction and enable feature.

Mechanism

Tempered steel and zinc coating.
Fail-Safe (Free passage during power failure). Optional: Fail lock.

Emergency Mode

The arms allow free passage when the signal received from fire detection system.

Operating Voltage

100-230 VAC, 47-60 Hz

Power Consumption

14W during passages, 24W during stand-by

Operating Temperature

-20° / +70° Optional: with heater -50°

Passage Speed

~40 persons / minute.

Passage Width

57 cm

Weight

~450 kg

Security Level

High Security.

Indicators

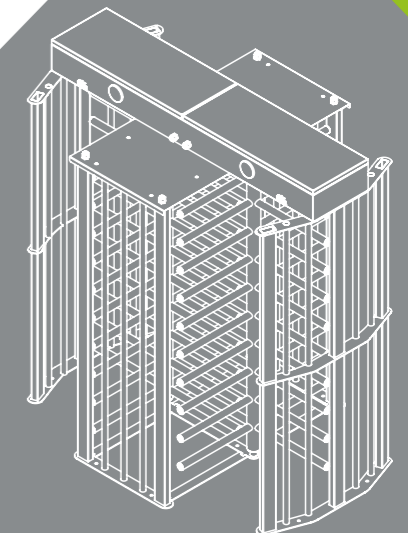
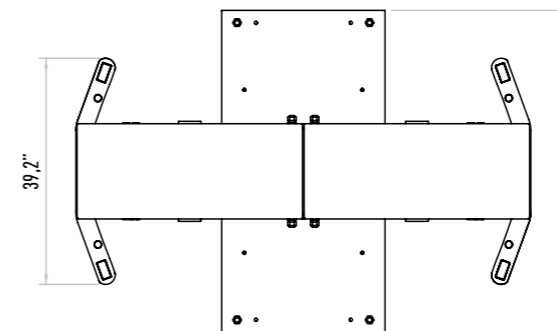
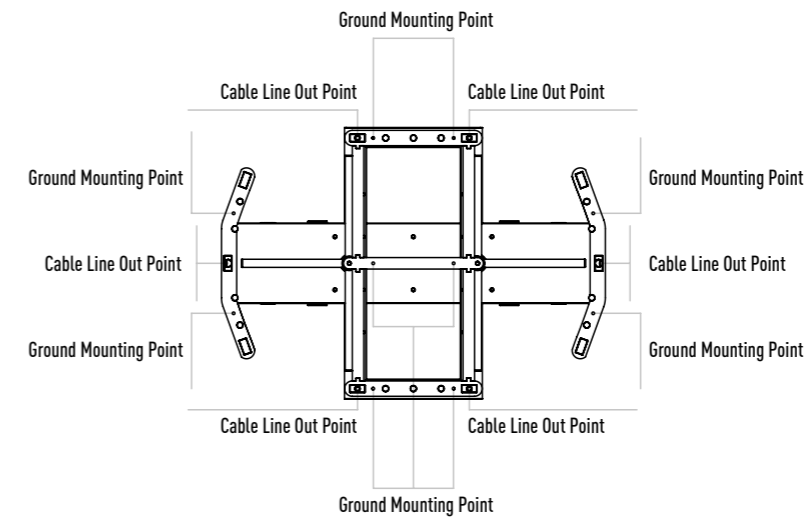
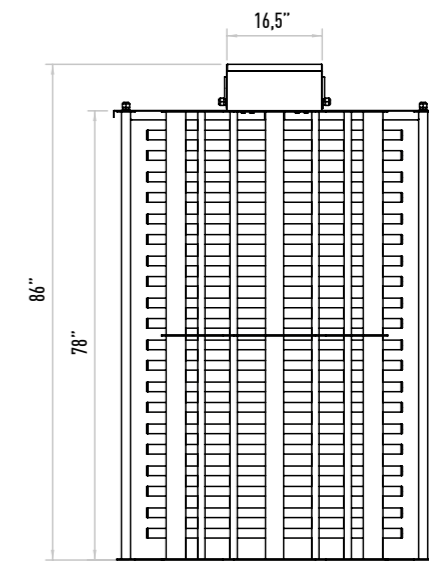
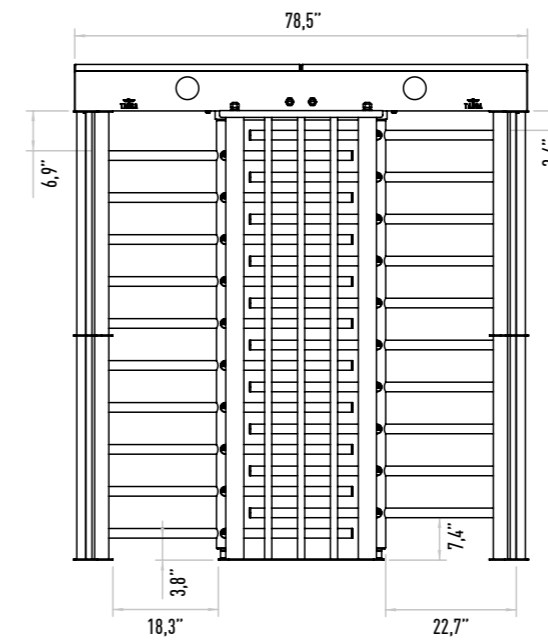
Standart in both directions.

Areas of Use

Suitable for indoor and outdoor use.

Accessories

Heater. Internal lightening. Stainless steel reader bracket. Button control unit.
Remote control unit. Coin console. Stainless steel bottom plate.
RS232 / RS485 / LAN communication unit. Adaptor.





LTF 413 FULL HEIGHT TURNSTILE

Operation

Adjustable manual passage to either direction. Optional: Motorized

Chassis

1.5 mm thick, AISI 304 quality stainless steel.
Optional: AISI 316 quality. With various color options electrostatic powder coated.

Rotor and Arms

3 wings, 10 arms. AISI 304 quality stainless steel.
Optional: AISI 316 quality. With various color options electrostatic powder coated.

Functions

Passage information. Ability to set the passage time. Memory mode. Adjustable audio warning. Remote controlled passage direction and enable feature.

Mechanism

Tempered steel and zinc coating.
Fail-Safe (Free passage during power failure). Optional: Fail lock.

Emergency Mode

The arms allow free passage when the signal received from fire detection system.

Operating Voltage

100-230 VAC, 47-60 Hz

Power Consumption

7W during passages, 12W during stand-by

Operating Temperature

-20° / +70° Optional: with heater -50°

Passage Speed

~20 persons / minute.

Passage Width

61 cm

Weight

~235 kg

Security Level

High Security.

Indicators

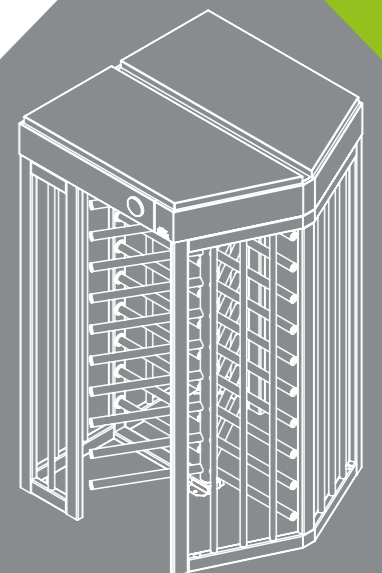
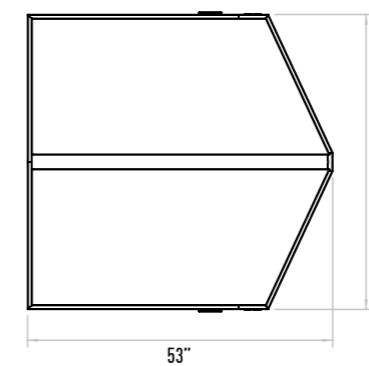
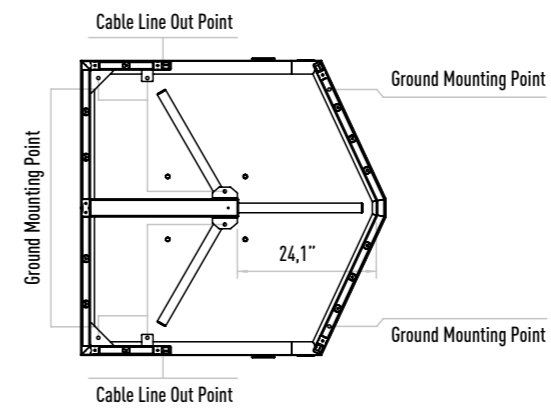
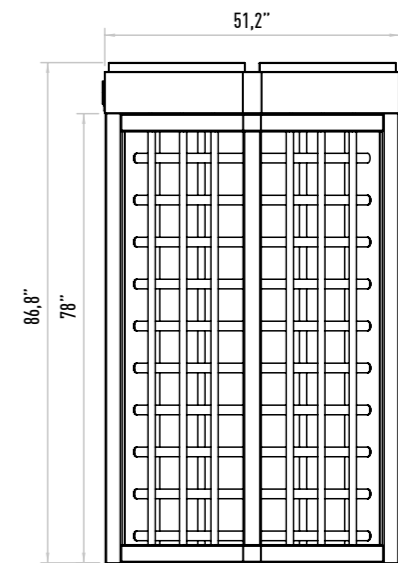
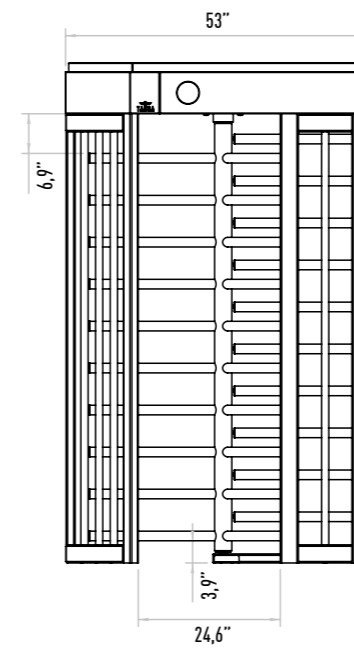
Standart in both directions.

Areas of Use

Suitable for indoor and outdoor use.

Accessories

Heater. Internal lightening. Stainless steel reader bracket. Button control unit.
Remote control unit. Coin console. Stainless steel bottom plate.
RS232 / RS485 / LAN communication unit. Adaptor.



LTF 413 D FULL HEIGHT TURNSTILE



Operation

Adjustable manual passage to either direction. Optional: Motorized

Chassis

1.5 mm thick, AISI 304 quality stainless steel.
Optional: AISI 316 quality. With various color options electrostatic powder coated.

Rotor and Arms

3 wings, 10 arms. AISI 304 quality stainless steel.
Optional: AISI 316 quality. With various color options electrostatic powder coated.

Functions

Passage information. Ability to set the passage time. Memory mode. Adjustable audio warning. Remote controlled passage direction and enable feature.

Mechanism

Tempered steel and zinc coating.
Fail-Safe (Free passage during power failure). Optional: Fail lock.

Emergency Mode

The arms allow free passage when the signal received from fire detection system.

Operating Voltage

100-230 VAC, 47-60 Hz

Power Consumption

14W during passages, 24W during stand-by

Operating Temperature

-20° / +70° Optional: with heater -50°

Passage Speed

~40 persons / minute

Passage Width

61 cm

Weight

~360 kg

Security Level

High Security.

Indicators

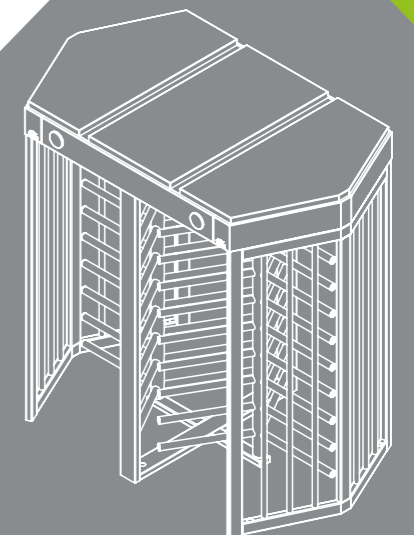
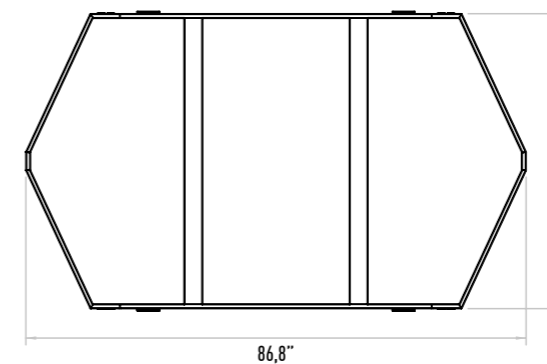
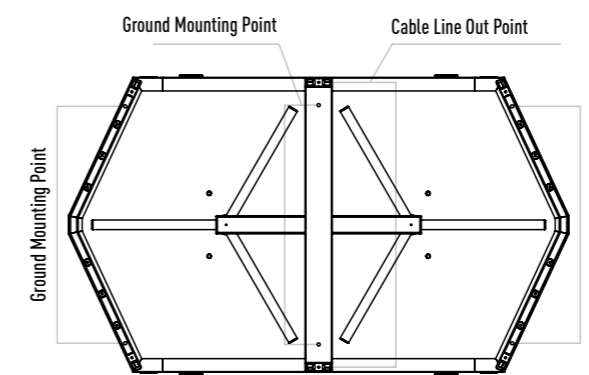
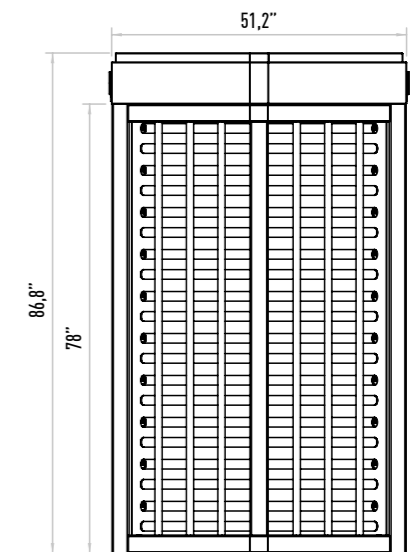
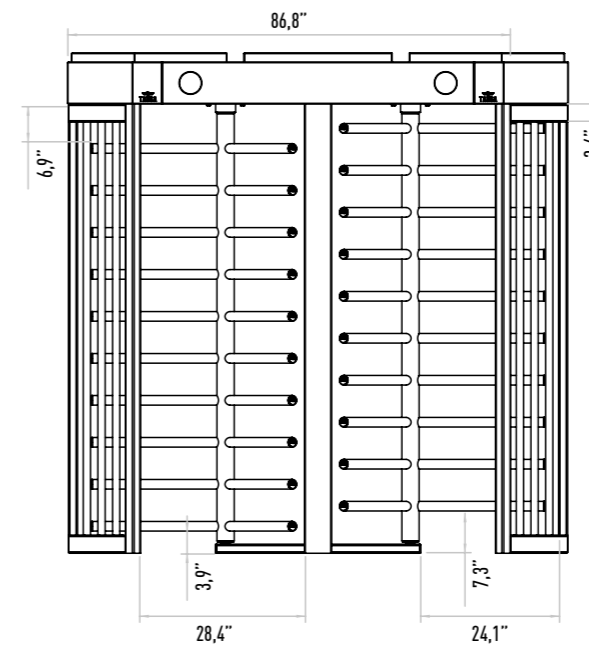
Standart in both directions.

Areas of Use

Suitable for indoor and outdoor use.

Accessories

Heater. Internal lightning. Stainless steel reader bracket. Button control unit.
Remote control unit. Coin console. Stainless steel bottom plate.
RS232 / RS485 / LAN communication unit. Adaptor.





LTF 413 SG FULL HEIGHT TURNSTILE

Operation

Adjustable manual passage to either direction. Optional: Motorized

Chassis

1.5 mm thick, AISI 304 quality stainless steel.
Optional: AISI 316 quality. With various color options electrostatic powder coated.

Rotor and Arms

AISI 304 quality stainless steel.
Two single-arm rotors and 10 pieces of stainless steel arms.

Functions

Auto shut-off. Ability to set the passage time. Adjustable audio warning.

Mechanism

Tempered steel and zinc coating.
Fail-Safe (Free passage during power failure).

Emergency Mode

In case of emergency, manual button or signal from fire alarm system switches to emergency mode and wings automatically open in the direction previously set.

Operating Voltage

100-230 VAC, 47-60 Hz

Power Consumption

150W during passages, 18W during stand-by

Operating Temperature

-20° / +70° Optional: with heater -50°

Passage Speed

~8 persons / minute.

Passage Width

129 cm

Weight

~245 kg

Security Level

High Security.

Indicators

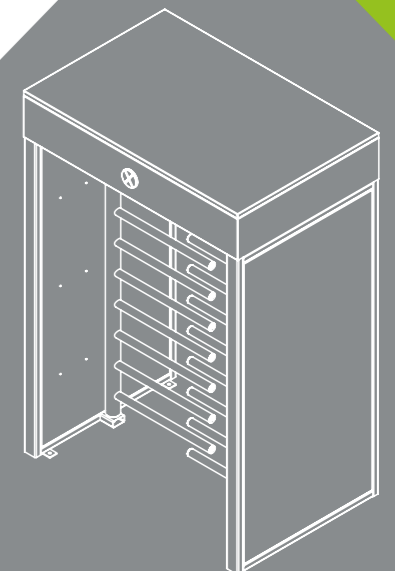
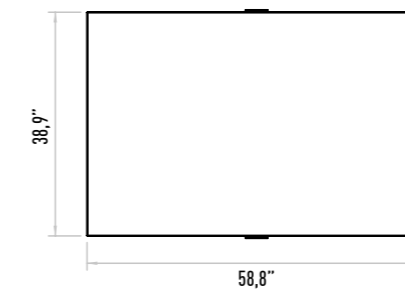
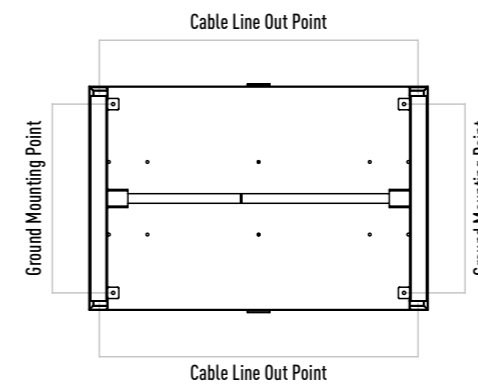
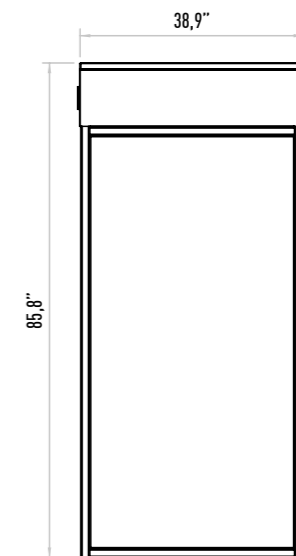
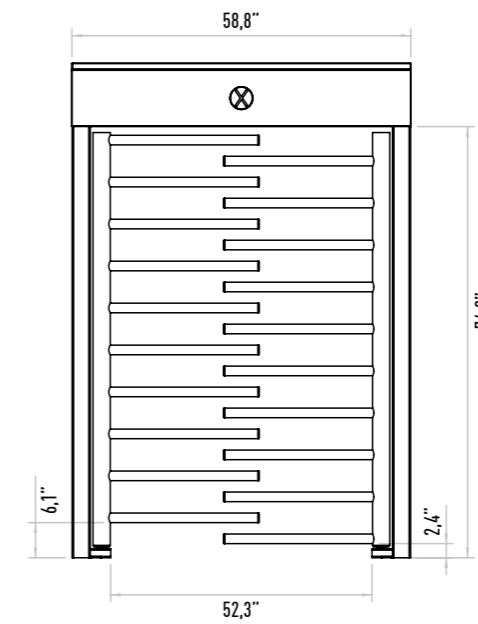
Standart in both directions.

Areas of Use

Suitable for indoor and outdoor use.

Accessories

Heater. Internal lightening. Stainless steel reader bracket. Button control unit.
Remote control unit. Stainless steel bottom plate.
RS232 / RS485 / LAN communication unit.



LTF 414 FULL HEIGHT TURNSTILE



Operation

Adjustable manual passage to either direction. Optional: Motorized

Chassis

1.5 mm thick, AISI 304 quality stainless steel.
Optional: AISI 316 quality. With various color options electrostatic powder coated.

Rotor and Arms

4 wings, 10 arms. AISI 304 quality stainless steel.
Optional: AISI 316 quality. With various color options electrostatic powder coated.

Functions

Passage information. Ability to set the passage time. Memory mode. Adjustable audio warning. Remote controlled passage direction and enable feature.

Mechanism

Tempered steel and zinc coating.
Fail-Safe (Free passage during power failure). Optional: Fail lock.

Emergency Mode

The arms allow free passage when the signal received from fire detection system.

Operating Voltage

100-230 VAC, 47-60 Hz

Power Consumption

7W during passages, 12W during stand-by

Operating Temperature

-20° / +70° Optional: with heater -50°

Passage Speed

~20 persons / minute.

Passage Width

65 cm

Weight

~240 kg

Security Level

High Security.

Indicators

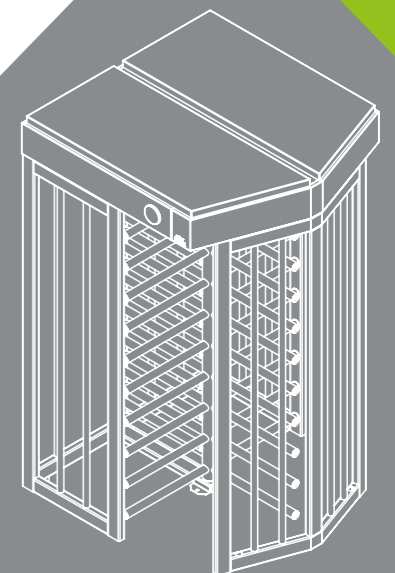
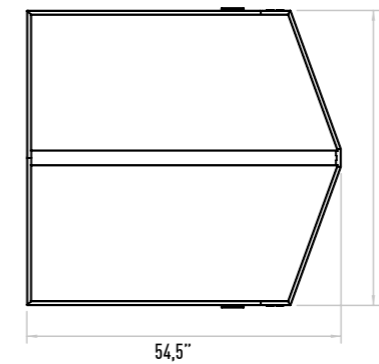
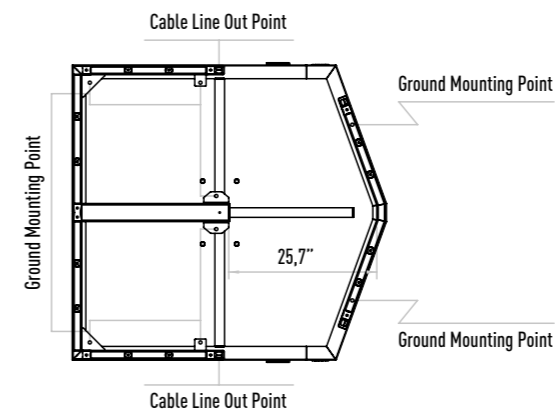
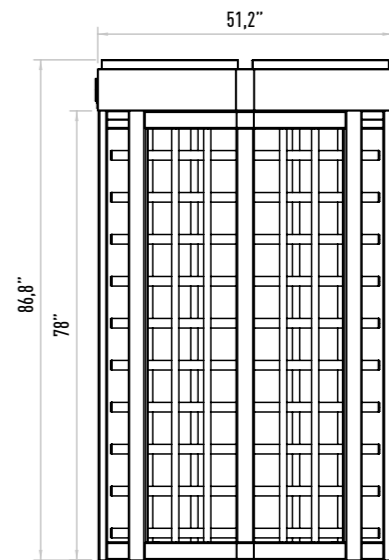
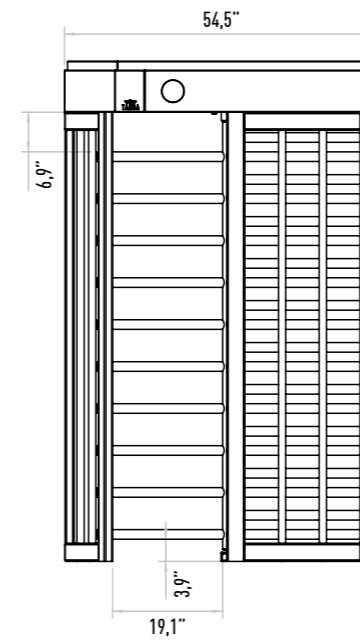
Standart in both directions.

Areas of Use

Suitable for indoor and outdoor use.

Accessories

Heater. Internal lightening. Stainless steel reader bracket. Button control unit.
Remote control unit. Coin console. Stainless steel bottom plate.
RS232 / RS485 / LAN communication unit. Adaptor.





LTF 414 D FULL HEIGHT TURNSTILE

Operation

Adjustable manual passage to either direction. Optional: Motorized

Chassis

1.5 mm thick, AISI 304 quality stainless steel.
Optional: AISI 316 quality. With various color options electrostatic powder coated.

Rotor and Arms

4 wings, 10 arms. AISI 304 quality stainless steel.
Optional: AISI 316 quality. With various color options electrostatic powder coated.

Functions

Passage information. Ability to set the passage time. Memory mode. Adjustable audio warning. Remote controlled passage direction and enable feature.

Mechanism

Tempered steel and zinc coating.
Fail-Safe (Free passage during power failure). Optional: Fail lock.

Emergency Mode

The arms allow free passage when the signal received from fire detection system.

Operating Voltage

100-230 VAC, 47-60 Hz

Power Consumption

14W during passages, 24W during stand-by

Operating Temperature

-20° / +70° Optional: with heater -50°

Passage Speed

~40 persons / minute

Passage Width

65 cm

Weight

~375 kg

Security Level

High Security.

Indicators

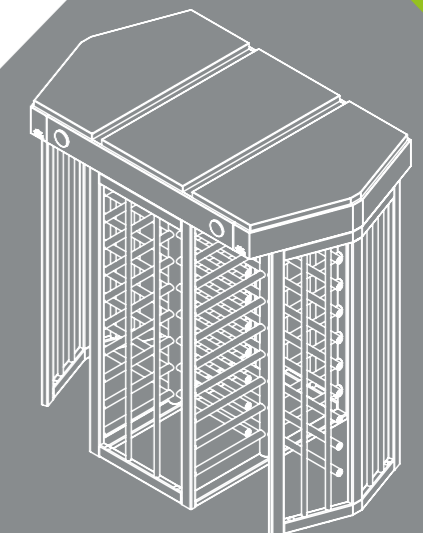
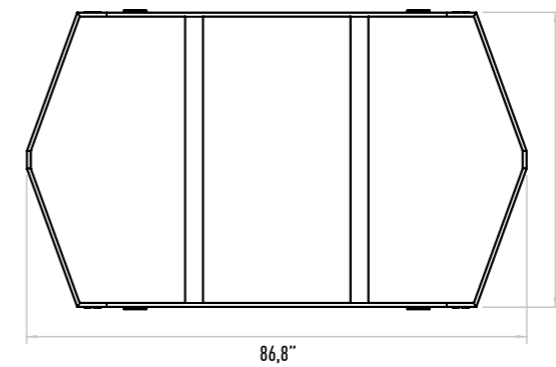
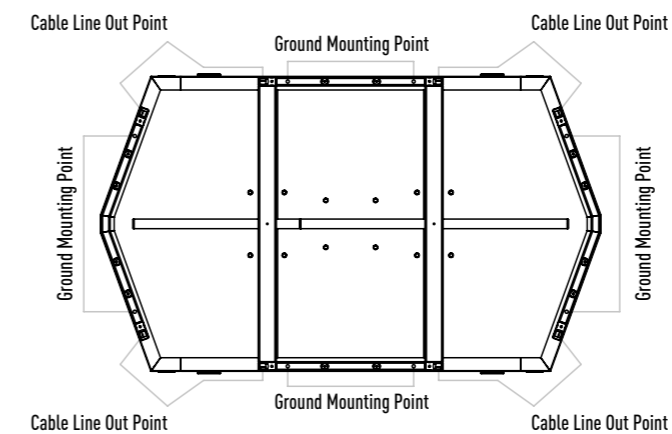
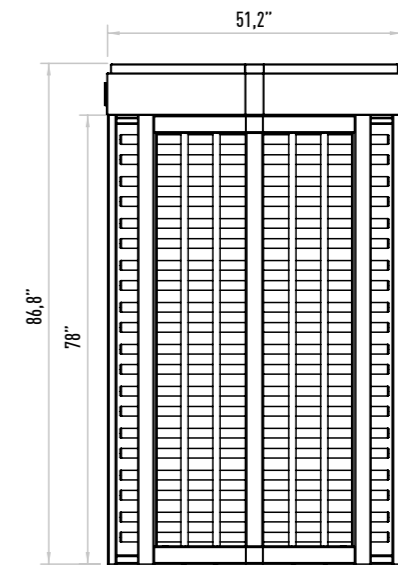
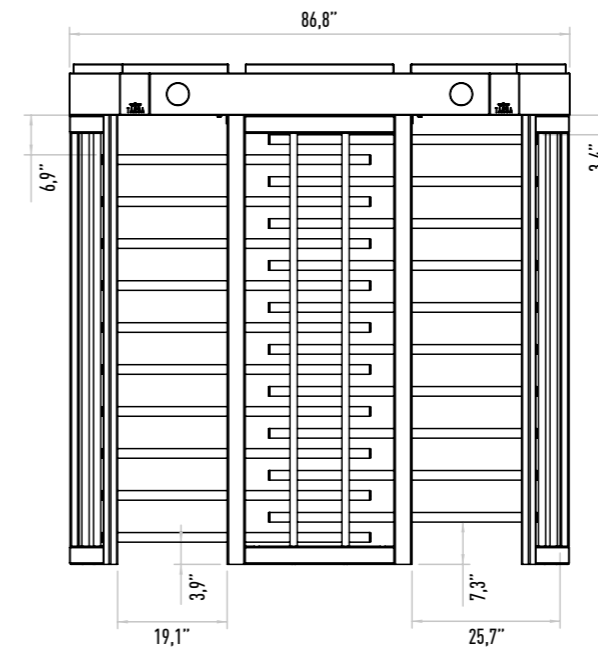
Standart in both directions.

Areas of Use

Suitable for indoor and outdoor use.

Accessories

Heater. Internal lightening. Stainless steel reader bracket. Button control unit.
Remote control unit. Coin console. Stainless steel bottom plate.
RS232 / RS485 / LAN communication unit. Adaptor.





LTF 513 FULL HEIGHT TURNSTILE

Operation

Adjustable manual passage to either direction. Optional: Motorized

Chassis

10 mm tempered glass and 1.5 mm thick, AISI 304 quality stainless steel.
Optional: AISI 316 quality. With various color options electrostatic powder coated.

Rotor and Arms

3 pieces, 10 mm tempered glass. AISI 304 quality stainless steel rotor.
Optional: AISI 316 quality. With various color options electrostatic powder coated.

Functions

Passage information. Ability to set the passage time. Memory mode. Adjustable audio warning. Remote controlled passage direction and enable feature.

Mechanism

Tempered steel and zinc coating.
Fail-Safe (Free passage during power failure). Optional: Fail lock.

Emergency Mode

The arms allow free passage when the signal received from fire detection system.

Operating Voltage

100-230 VAC, 47-60 Hz

Power Consumption

7W during passages, 12W during stand-by

Operating Temperature

-20° / +70° Optional: with heater -50°

Passage Speed

~20 persons / minute

Passage Width

60 cm

Weight

~430 kg

Security Level

High Security.

Indicators

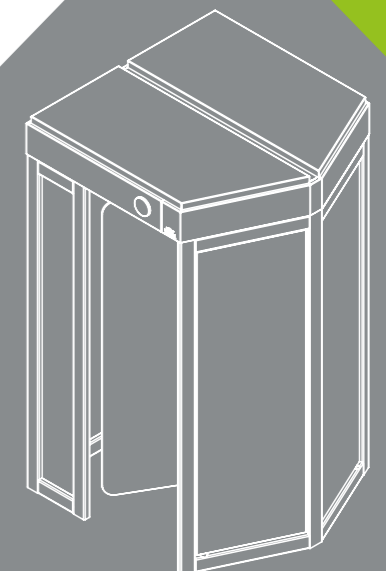
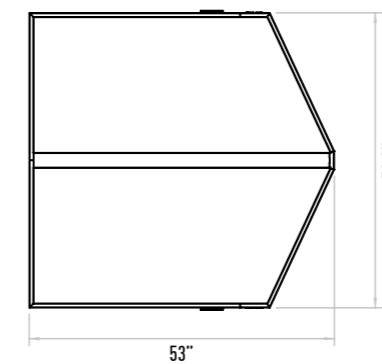
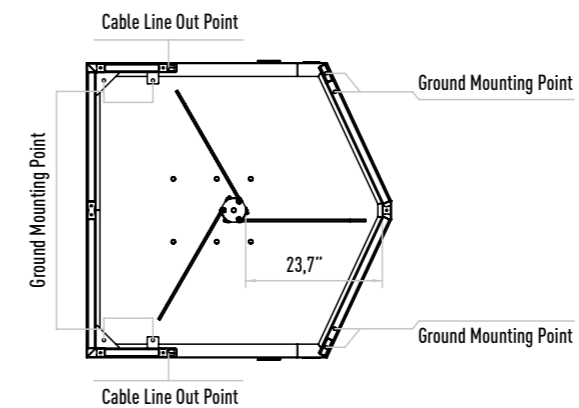
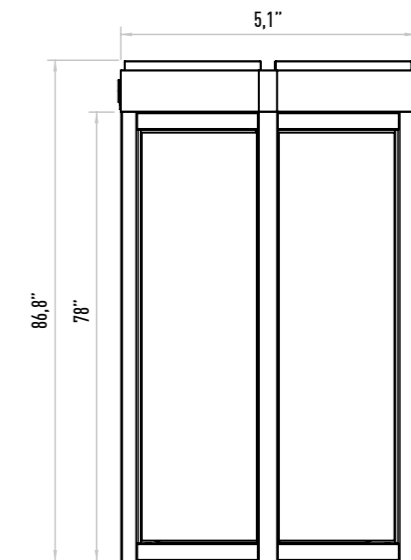
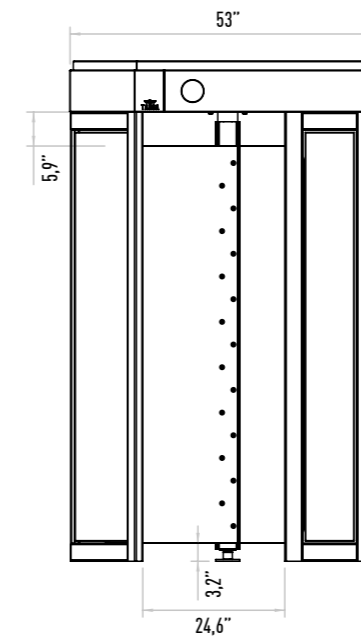
Standart in both directions.

Areas of Use

Suitable for indoor and outdoor use.

Accessories

Heater. Internal lightening. Stainless steel reader bracket. Button control unit.
Remote control unit. Coin console. Stainless steel bottom plate.
RS232 / RS485 / LAN communication unit. Adaptor.



LTF 514 FULL HEIGHT TURNSTILE



Operation

Adjustable manual passage to either direction. Optional: Motorized

Chassis

10 mm tempered glass and 1.5 mm thick, AISI 304 quality stainless steel.
Optional: AISI 316 quality. With various color options electrostatic powder coated.

Rotor and Arms

4 pieces, 10 mm tempered glass. AISI 304 quality stainless steel rotor.
Optional: AISI 316 quality. With various color options electrostatic powder coated.

Functions

Passage information. Ability to set the passage time. Memory mode. Adjustable audio warning. Remote controlled passage direction and enable feature.

Mechanism

Tempered steel and zinc coating.
Fail-Safe (Free passage during power failure). Optional: Fail lock.

Emergency Mode

The arms allow free passage when the signal received from fire detection system.

Operating Voltage

100-230 VAC, 47-60 Hz

Power Consumption

7W during passages, 12W during stand-by

Operating Temperature

-20° / +70° Optional: with heater -50°

Passage Speed

~20 persons / minute

Passage Width

64 cm

Weight

~430 kg

Security Level

High Security.

Indicators

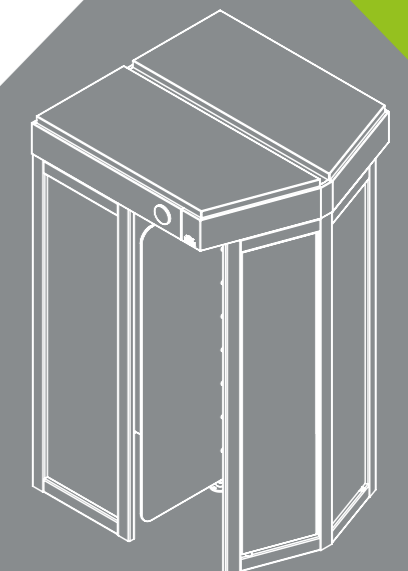
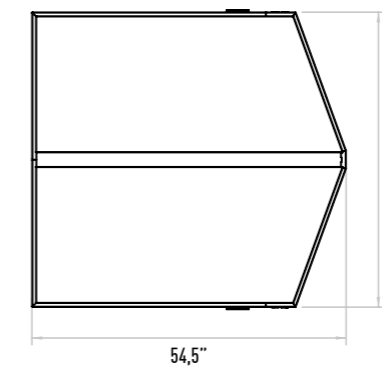
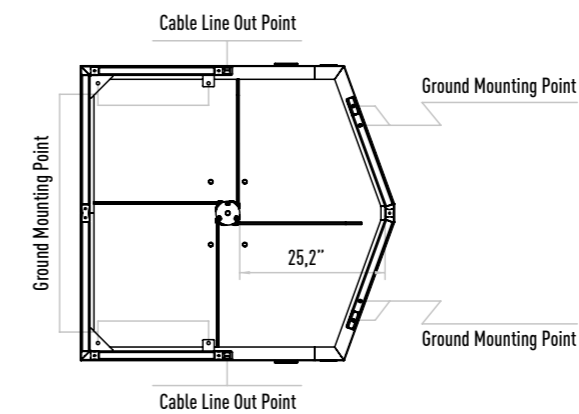
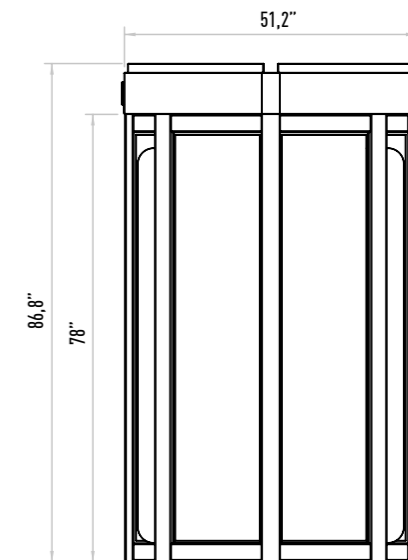
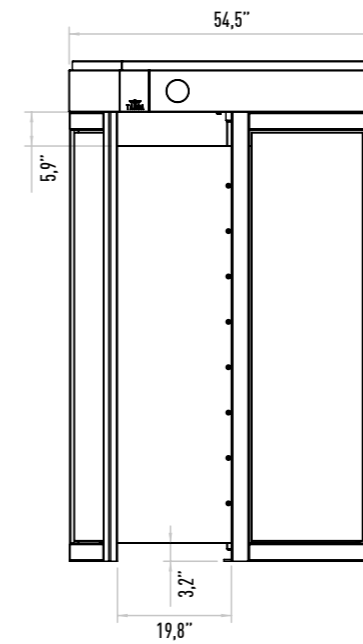
Standart in both directions.

Areas of Use

Suitable for indoor and outdoor use.

Accessories

Heater. Internal lightening. Stainless steel reader bracket. Button control unit.
Remote control unit. Coin console. Stainless steel bottom plate.
RS232 / RS485 / LAN communication unit. Adaptor.





LTF 600 FULL HEIGHT TURNSTILE

Operation

Adjustable manual passage to either direction. Optional: Motorized

Chassis

1.5 mm thick with various color options electrostatic powder coated.
Optional: AISI 304 quality stainless steel.

Moving Gates

4+4+2 mm laminated glass and desired tint film coating.

Functions

Height sensor connection (RS 232). Computer control with RS 485. Contact input for 4 reader connections. Automatic evacuation at faulty and forbidden input. Switching information for both directions.

Mechanism

12 bit angular encoder with servo motor control.

Emergency Mode

The fire alarm system is switched on automatically when the incoming signal is switched on in both directions.

Operating Voltage

100-230 VAC, 47-60 Hz

Power Consumption

50W during passages, 25W during stand-by

Operating Temperature

0° / +55°

Passage Speed

~5-8 persons / minute.

Passage Width

53 cm

Weight

~400 kg

Security Level

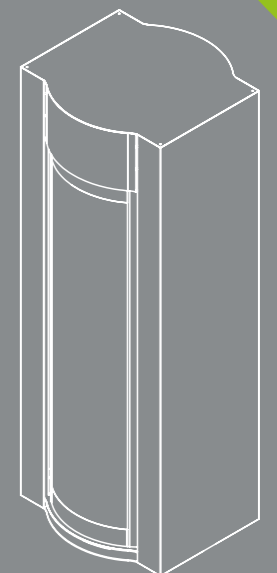
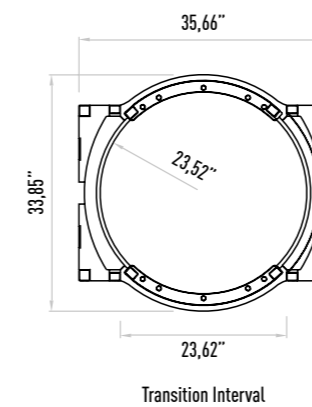
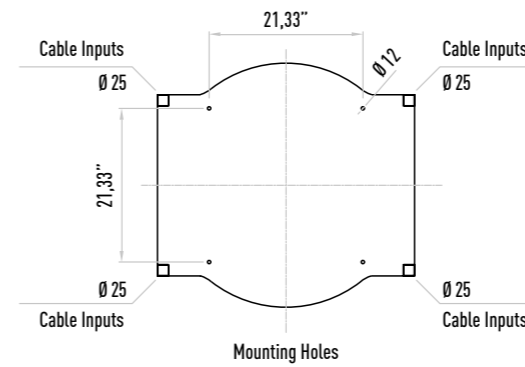
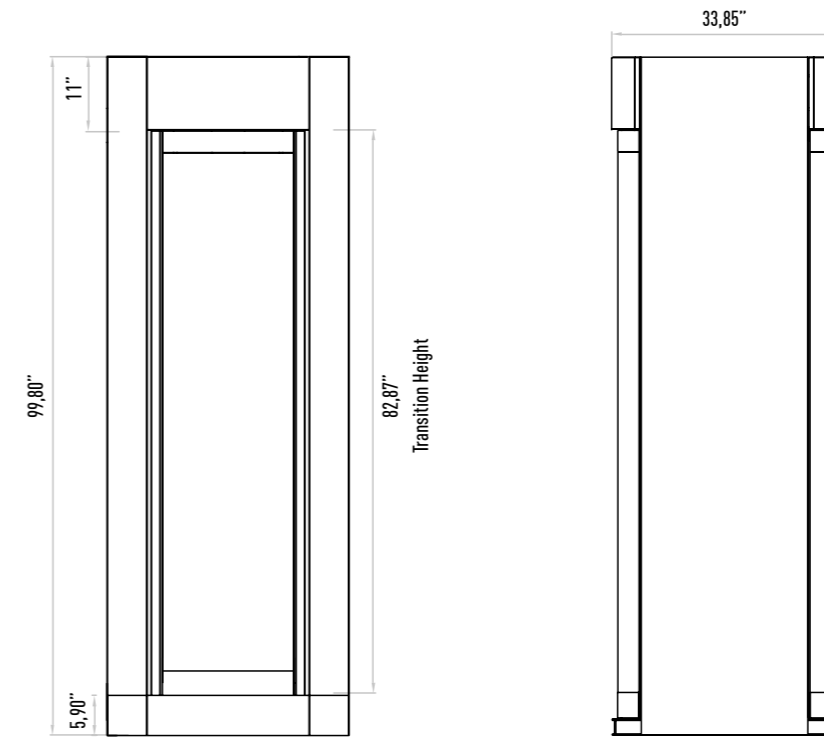
Very High Security.

Areas of Use

Suitable for indoor use.

Options

Height Sensor.





Copyright © 2019

All rights reserved in this catalogue can not be replicated or used without Tansa consent.



TANSA

tansa.com.tr

Head Office and Factory

Eyüp Sultan Mahallesi Hoca Nasreddin Caddesi
No.10 Sancaktepe / İstanbul
P +90 216 561 96 71 - 72 - 73
F +90 216 561 96 74 - 75

Anatolia Regional Branch and Showroom

Tepe Prime Eskişehir Devlet Yolu 9.km Mustafa Kemal Mahallesi
B Blok No.226 Asma Kat No:20 Çankaya / Ankara
P +90 312 287 56 06
F +90 312 287 86 06

info@tansa.com.tr